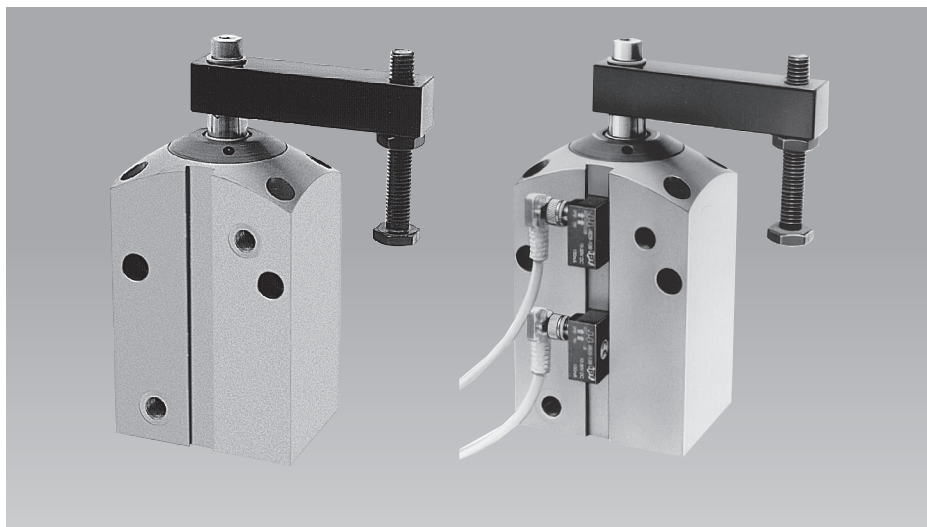




Pneumatic Swing Clamp

block-type, for adjustable magnetic sensors
 double acting, max. operating pressure 7 bar



Advantages

- Compact design
- Easy adjustment of switching point positions
- Diverse mounting possibilities
- 5 standard sizes are available
- optionally with thread connection or for manifold mounting with O-ring sealing

Application

Pneumatic swing clamps are used for applications which require only low clamping forces. The installed magnetic piston allows monitoring of clamping and unclamping position.

Description

When pressurising the element, the clamping arm swings and lowers by 90° to the clamping position and then lowers to the clamping point. The position monitoring gives the required information regarding the position of the piston, but not regarding the position of the clamping arm. Monitoring is made by electronic sensors (see accessory) which detect the magnetic field of the magnetic piston. The switching points can be continuously adjusted by displacement of the magnetic sensors.

Special features

When adjusting the clamping screw it has to be considered that for the swing motion a part of the total stroke is required.

Make sure that the swing motion can be effected without any interference.

When using special clamping arms with other lengths, the corresponding operating pressures as shown in the clamping force diagram must not be exceeded.

Pneumatic accessories

see data sheet J 7.400.

Installation

The block-type offers universal mounting possibilities.

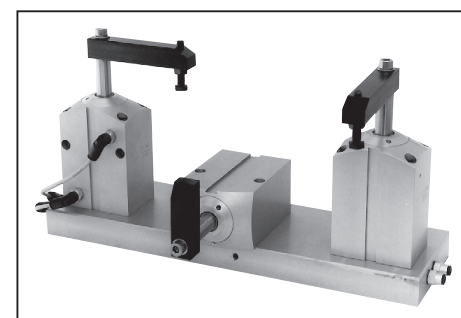
Material

The swing clamps are supplied in corrosion resistant quality. Guide bushing, housing, piston, and flange are made of hardcoated aluminium. The piston rod is made of corrosion resistant steel.

Important notes

Operating of these pneumatic elements has to be effected with an additional service unit in order to guarantee that the clamping elements are supplied with correctly prepared compressed air.

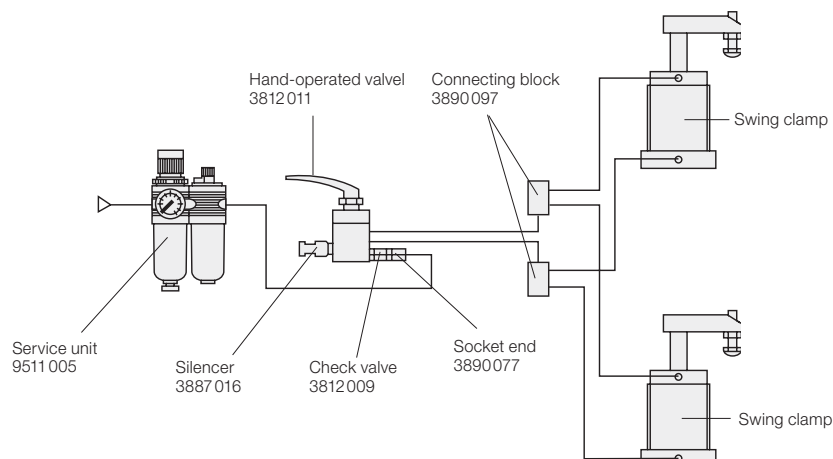
Operating conditions, tolerances and other data see data sheet A 0.100.



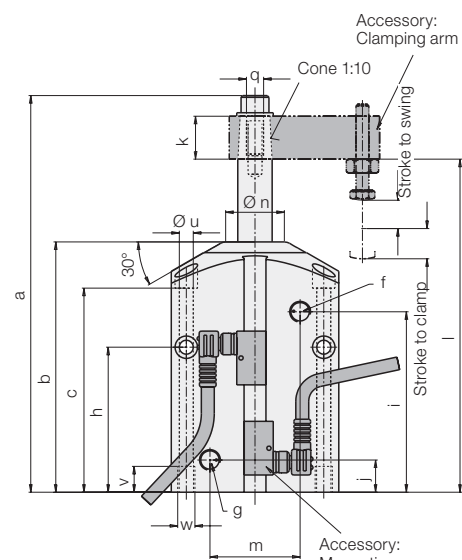
Versions

- Versions with pipe thread (Figure at the left-hand side) see page 2
- Manifold mounting with O-ring sealing Version **K** (Figure in the centre), see page 3
- Manifold mounting with O-ring sealing Version **B** (Figure at the right-hand side), see page 3

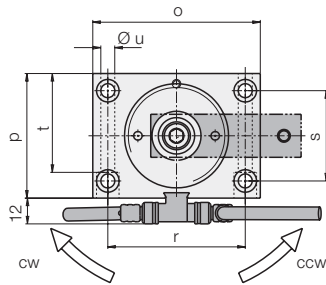
Connection example



Threaded body Technical data • Accessories



f = clamping
g = unclamping

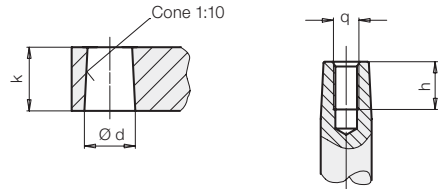


Piston Ø	[mm]	20	32	40	50	63
Piston rod Ø	[mm]	8	12	16	20	25
Stroke to swing	[mm]	7.5	9.5	17	18	23
Stroke to clamp	[mm]	7	9	15	15	18
Pulling force at 4 bar	[N]	105.5	276.4	422.2	659.7	1050.5
* air 5 bar	[N]	131.9	345.5	527.7	824.6	1313.1
pressure 6 bar	[N]	158.3	414.6	633.3	989.6	1575.8
Min. operating pressure	[bar]	3				
Max. operating pressure	[bar]	7				
Angle of rotation	[°]	90° ± 2°				
Weight	[kg]	0.35	0.8	1.3	2.0	3.33
a	[mm]	120.5	143	189.5	203.5	239.5
b	[mm]	76	94.5	120.5	130	150
c	[mm]	55.5	72	99	104	118
f	[mm]	M5	M5	G 1/8	G 1/8	G 1/4
g	[mm]	M5	M5	G 1/8	G 1/8	G 1/4
h	[mm]	41	59.5	71.5	76	80
i	[mm]	53.5	63	88	95	100
j	[mm]	17	20	19	17.5	18
k	[mm]	12	16	20	25	30
l	[mm]	103.5	119.5	159	164	197
m	[mm]	22	28	42	44	58
Ø n	[mm]	14	24	30	38	42
o	[mm]	54	68	80	90	106
p	[mm]	35	52	60	70	85
q	[mm]	M4	M6	M8	M12	M10
r	[mm]	40	55	64	72	86
s	[mm]	22	38	42	48	66
t	[mm]	25	40	46	50	70
Ø u	[mm]	5.5	6.5	6.5	8.5	8.5
v	[mm]	10	12	12	15	15
w	[mm]	M8	M8	M8	M10	M10

Part no.	1873 106	1874 106	1875 106	1876 106	1877 106
Clockwise rotation					
Part no.	1873 206	1874 206	1875 206	1876 206	1877 206
Counterclockwise rotation					
Part no.	1873 206	1874 206	1875 206	1876 206	1877 206

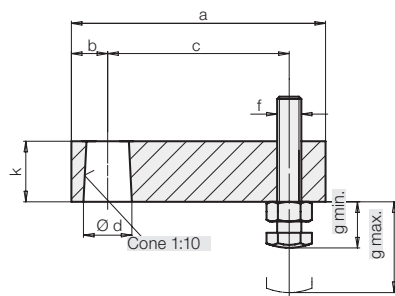
* Effective clamping force see diagram (page 3, column 1)

Seat of clamping arm



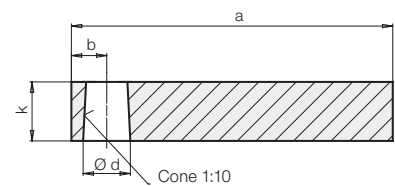
Swing clamp	Ø d + 0.05	□ k	h	q
1873X06	7.85	12	9	M 4
1874X06	11.85	16	15	M 6
1875X06	15.85	20	19	M 8
1876X06	19.85	25	18	M 12
1877X06	24.85	30	25	M 10

Clamping arm



Swing clamp	a	b	c	Ø d + 0.05	f	g min.	g max.	□ k	Part no.
1873X06	54	7	42	7.85	M 4	8	28	12	0187326
1874X06	68	10	52	11.85	M 6	12	27	16	0187426
1875X06	78	12	58	15.85	M 6	12	42	20	0187526
1876X06	90	14	68	19.85	M 8	15	42	25	0187626
1877X06	110	18	80	24.85	M10	19	56	30	0187726

Clamping arms for special versions



Swing clamp	a	b	Ø d + 0.05	□ k	Part no.
1873X06	62	7	7.85	12	3548355
1874X06	72	10	11.85	16	3548356
1875X06	95	12	15.85	20	3548357
1876X06	116	14	19.85	25	3548358
1877X06	143	18	24.85	30	3548358

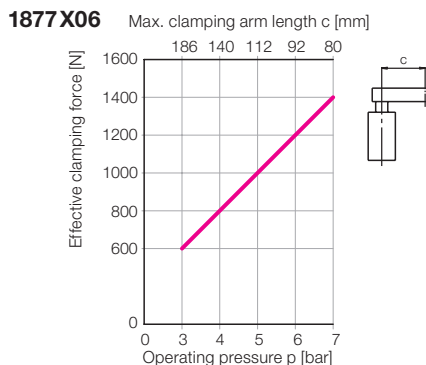
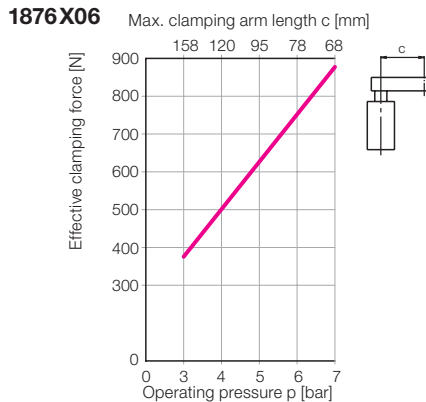
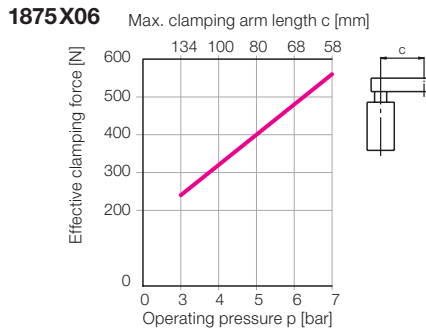
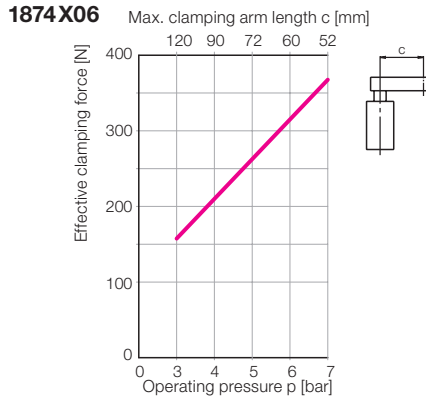
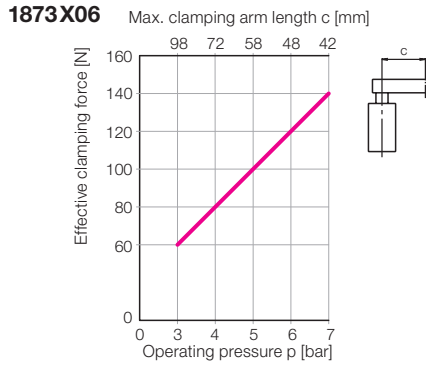
Contact bolt, dome head

Swing clamp	a	b	f	R	SW	Part no.
1873X06	32.5	30	M 4	15	7	3614141
1874X06	33.5	30	M 6	20	10	3614137
1875X06	48.5	45	M 6	20	10	3614138
1876X06	50	45	M 8	20	13	3614139
1877X06	66.5	60	M 10	35	17	3614140

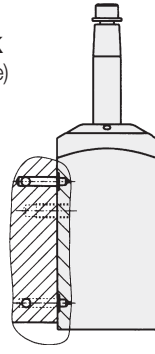
Manifold mounting with O-ring sealing

Technical data

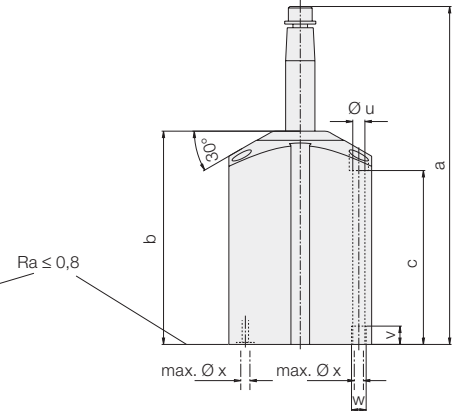
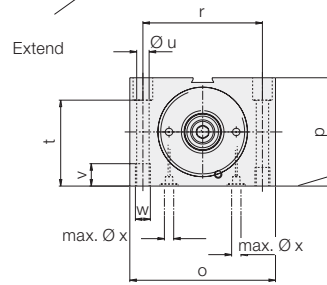
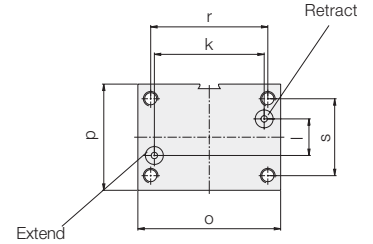
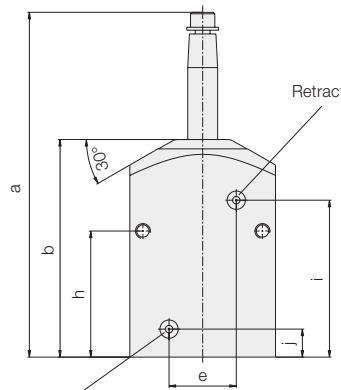
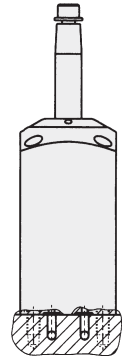
Effective clamping force



Version K
(Broad side)



Version B
(Bottom side)



Swing clamp

	1873 106X	1874 106X	1875 106X	1876 106X	1877 106X
Clockwise rotation	1873 206X	1874 206X	1875 206X	1876 206X	1877 206X
Counterclockwise rotation	1873 206X	1874 206X	1875 206X	1876 206X	1877 206X
Piston Ø	[mm] 20	[mm] 32	[mm] 40	[mm] 50	[mm] 63
Piston rod Ø	[mm] 8	[mm] 12	[mm] 16	[mm] 20	[mm] 25
a	[mm] 120.5	[mm] 143	[mm] 189.5	[mm] 203.5	[mm] 239
b	[mm] 76	[mm] 94.5	[mm] 120.5	[mm] 130	[mm] 150
c	[mm] 55.5	[mm] 72	[mm] 99	[mm] 104	[mm] 118
e	[mm] 16	[mm] 28	[mm] 36	[mm] 44	[mm] 58
h	[mm] 41	[mm] 59.5	[mm] 71.5	[mm] 76	[mm] 80
i	[mm] 53.5	[mm] 63	[mm] 88	[mm] 95	[mm] 100
j	[mm] 20	[mm] 20	[mm] 19	[mm] 17.5	[mm] 18
k	[mm] 39	[mm] 53	[mm] 60	[mm] 72	[mm] 86
l	[mm] -	[mm] 14	[mm] 20	[mm] 20	[mm] 20
o	[mm] 54	[mm] 68	[mm] 80	[mm] 90	[mm] 106
p	[mm] 35	[mm] 52	[mm] 60	[mm] 70	[mm] 85
r	[mm] 40	[mm] 55	[mm] 64	[mm] 72	[mm] 86
s	[mm] 22	[mm] 38	[mm] 42	[mm] 48	[mm] 66
t	[mm] 25	[mm] 40	[mm] 46	[mm] 50	[mm] 70
Ø u	[mm] 5.5	[mm] 6.5	[mm] 6.5	[mm] 8.5	[mm] 8.5
v	[mm] 10	[mm] 12	[mm] 12	[mm] 15	[mm] 15
w	[mm] M8	[mm] M8	[mm] M8	[mm] M10	[mm] M10
max. Ø x	[mm] 5	[mm] 5	[mm] 5	[mm] 5	[mm] 5
Dimensions O-ring	[mm] 7x1.5	[mm] 7x1.5	[mm] 7x1.5	[mm] 7x1.5	[mm] 7x1.5
Part no., spare O-ring	3000342	3000342	3000342	3000342	3000342

O-rings are included in delivery. Other dimensions see page 2.

Order:

Please add the corresponding identification letter to the **Part no.** of the required pneumatic block-type swing clamp: **K** or **B**

Example of ordering:

Pneumatic block-type swing clamp 1875-106 with air supply on the broad side
Part no. 1875-106 K

Accessory: Magnetic sensors

Compared with traditional reed switches the electronic magnetic sensors offer the following advantages:

- Indifference to shock and vibration
- Bounce-free output signal
- Only one switching point
- Wear resistant
- Protection against reverse battery
- Protected against short circuits

Electric connection is made as per traditional inductive proximity switches; up to four magnetic sensors can be connected in series.

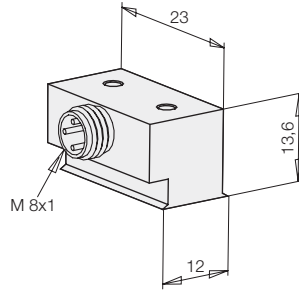
Minimum distance of the switching points: 6 mm.

Important notes

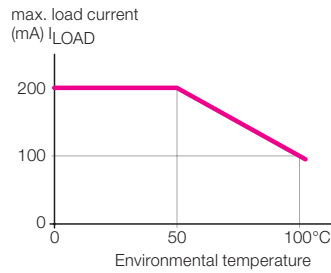
Steel can influence the magnetic field of the magnetic piston and thereby the position of the switching points. If there is the same influence for each stroke (e.g. because of adjoining steel components) it can be compensated by displacing the magnetic sensors. But if the influence differs from stroke to stroke, as e.g. in the case of swarf, a cover has to be provided 30 mm over the magnetic sensors. Covers have to be provided to protect the cylinders against ferritic swarf.

Further information about voltage supply for position controls see data sheet A 0.120.

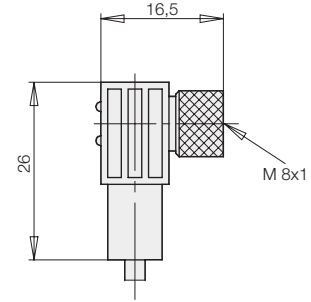
Electronic magnetic sensor



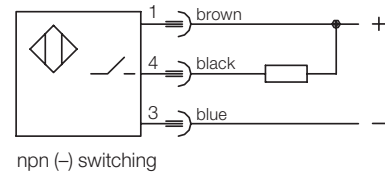
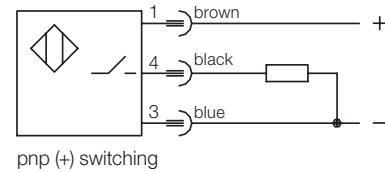
Temperature curve



Connecting cable with right angle plug



Connecting scheme



Technical data

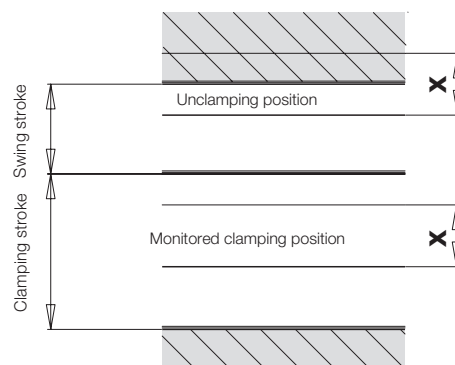
	Electronic magnetic sensor	Connection cable with right angle plug
Cylinder body material	aluminium black lacquered	
Voltage	10 – 30 V DC	10 – 30 V DC
Residual ripple	max. 10%	
Current load I _{LOAD}	200 mA – up to 50 °C 150 mA – at 75 °C 100 mA – at 100 °C	
Current consumption	< 15 mA	
Voltage drop (max. load)	< 2 V	
Protected against short circuits	yes	
Protection against reverse battery	installed	
Switching frequency	1 kHz	
Switching hysteresis	3 mm	
Protection as per 40050	IP 67	IP 67
Environmental temperature	-25 °C up to +100 °C	-25 °C up to +90 °C
Plug connection	M8 plug	M8 plug
LED	no	Voltage (green) Function display (yellow)
Cable, length of cable		PUR, 5 m
Output (interlock)	pnp	pnp
Part no.	3829234	3829099
	nnp	nnp
	3829240	3829124

Further accessory

see data sheet G 2.140

- Pin-and-socket connector
- Y-distributor
- Reversing plug
- Voltage regulator

Range of magnetic signal



Type	≈ x [mm]
1873 X06	4
1874 X06	4
1875 X06	5
1876 X06	6
1877 X06	7