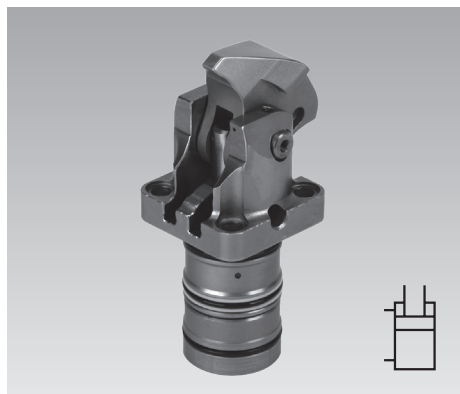




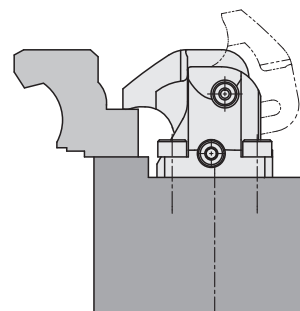
Compact Clamps

Cartridge type, pneumatic position monitoring optional, double acting, max. operating pressure 250 bar



Advantages

- Minimum dimensions
- Partially immersed body
- Mounting without pipes
- Metallic wiper edge for piston rod
- Clamping lever can be swivelled into small recesses
- Workpiece clamping without any side loads
- Unimpeded loading and unloading of the clamping fixture
- Long clamping lever adaptable to the work-piece
- Universal clamping lever for adapting customised clamping levers
- Mounting position: any



Application

Compact clamps are designed for application in hydraulic clamping fixtures where oil supply is effected through drilled channels in the fixture body.

Due to the minimum space required, the compact clamp is especially suitable for clamping fixtures with little space for the installation of hydraulic clamping elements.

A clamping recess in the workpiece a little bit wider than the clamping lever is sufficient as clamping surface. Typical applications are:

- Rotary indexing fixtures in horizontal and vertical machining centres
- Clamping fixtures for machining of several sides and complete machining
- Multiple clamping fixtures with many work-pieces that are closely arranged
- Test systems for motors, gears, etc.
- Assembly lines

Description

The hydraulic compact clamp is a double-acting pull-type cylinder where a part of the linear stroke is used to swing the clamping lever onto the workpiece.

The version with cover is inserted in open bore holes and enables the smallest possible building height.

The version without cover requires a closed pocket hole.

Available versions

1. With pneumatic clamping monitoring 180X 1XX

The clamping monitoring signals:
"The clamping lever is within the usable clamping range and the workpiece is clamped with minimum clamping force (min. 70 bar)."

2. With pneumatic unclamping monitoring 180X 1XXA

The unclamping monitoring signals:
"The clamping lever is within the unclamping range, starting approx. 10° before the final position."

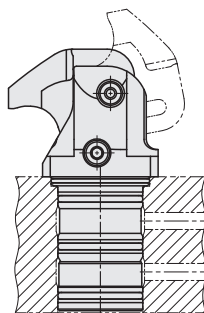
3. Without position monitoring 180X 1XXB

Pneumatic position monitoring see page 6

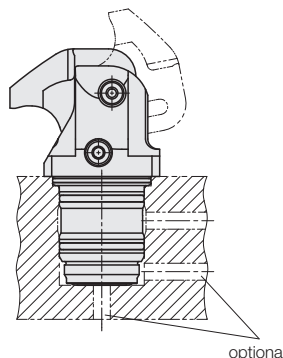
Important notes
(see page 5)

Installation and connecting possibilities

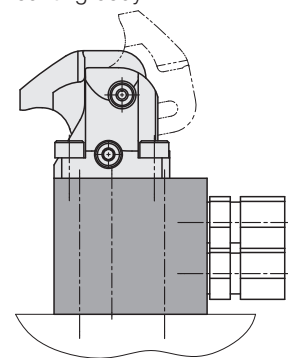
Drilled channels with cover



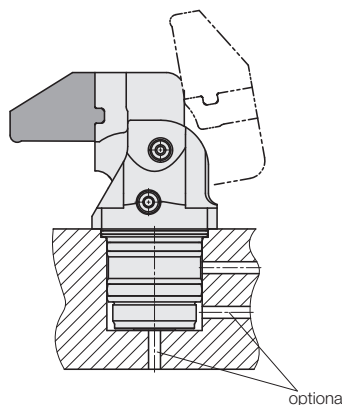
without cover



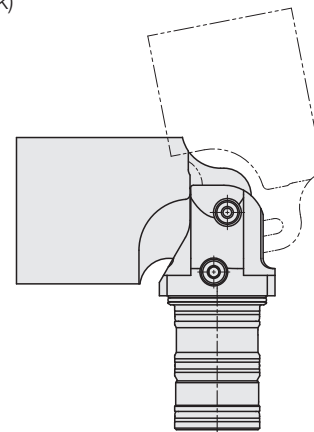
Pipe thread with accessory Mounting body



Universal clamping lever

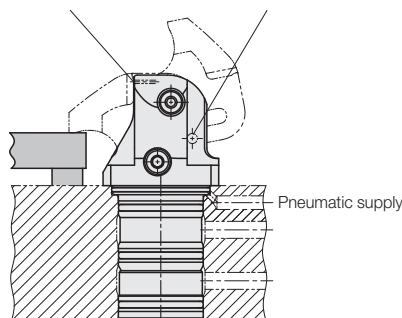


Long clamping lever (blank)

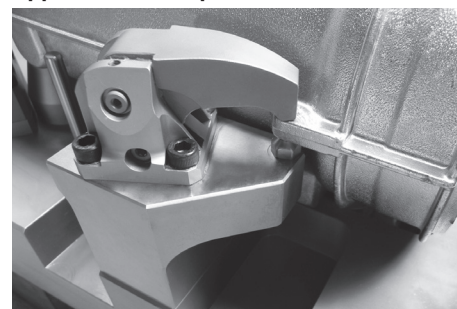


Pneumatic position monitoring

Clamping position or Unclamping position



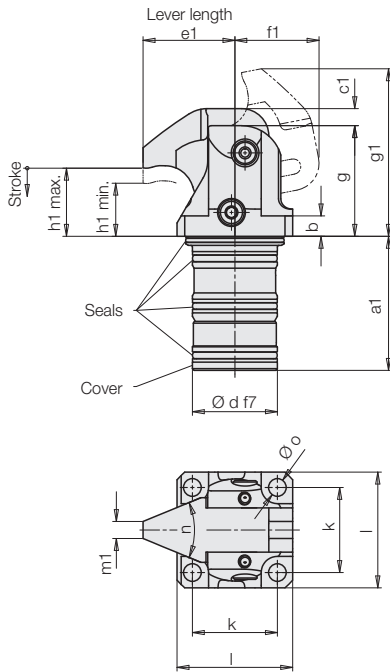
Application example



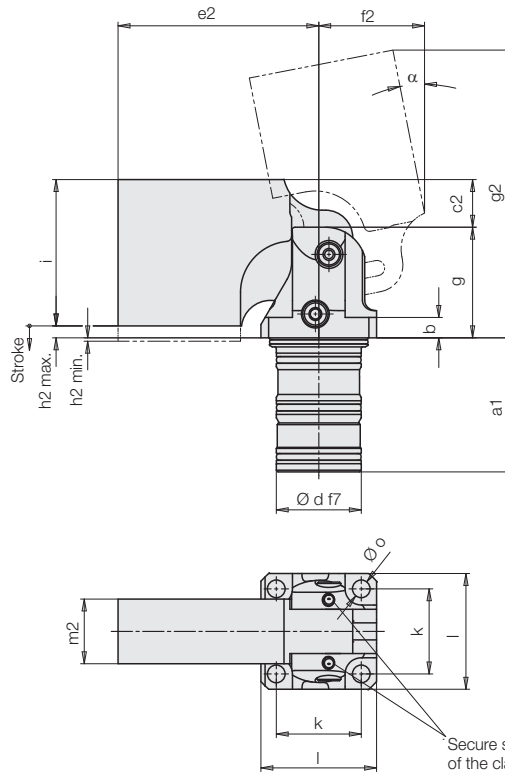
Clamping of a cast part

Dimensions

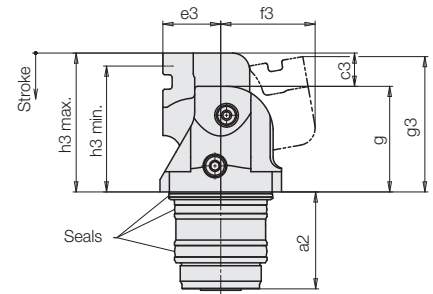
With cover Short clamping lever 180X 110



Long clamping lever (blank) 180X 130



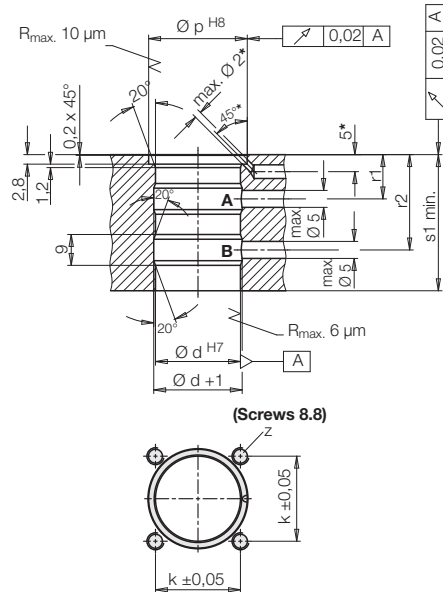
Without cover Universal clamping lever 180X 150



Pneumatic position monitoring
see page 6

Secure set screw after assembly
of the clamping lever with thread glue!

Bore hole open (with cover)



Materials

Body	hardened, stainless
Clamping lever: short long (blank)	HRc 48 – 55, stainless X37 Cr Mo V5-1 hardened and tempered HRc 40 and nitrated
Seals	NBR and PUR (max. 80°C)

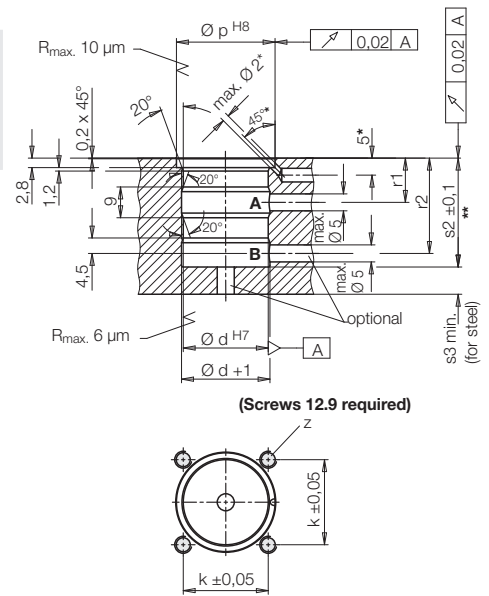
Accessories

Mounting body (see page 4)

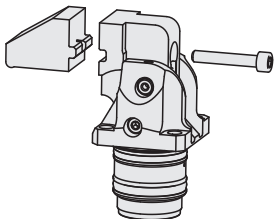
A = Clamping
B = Unclamping

- * Bore holes for pneumatic clamping and unclamping monitoring, only if required.
- ** Dimension s2 ± 0.1 must be met, otherwise the piston will strike the bottom of the pocket hole.

Pocket hole (without cover)

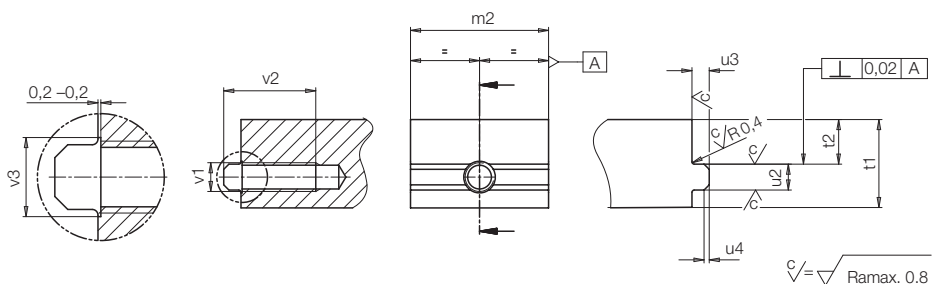


Universal clamping lever



The compact clamp with universal clamping lever and integrated swing mechanism enables the fixing of customised clamping levers, which are relatively easy to manufacture. The fixing screw 12.9 included in our delivery. Tightening torque see chart page 3.

Connecting dimensions to the flange of the universal clamping lever



Technical data

Size		1	2	3	4
Clamping force at 250 bar (short clamping lever) [kN]		3.2	4.5	7.5	11.5
Max. stroke	[mm]	5	5	7	8.5
Clamping stroke, usable	[mm]	4.5	4.5	6.5	8
Piston Ø/piston rod Ø	[mm]	18 / 11	22 / 14	28 / 17	33 / 19
Oil volume clamping/unclamping	[cm ³]	2.3 / 3.6	3.2 / 5.4	6.4 / 10.2	10.5 / 15.7
Max. flow rate	[cm ³ /s]	8	11	22	35
Minimum pressure	without clamping monitoring	[bar]	20	20	20
	with clamping monitoring	[bar]	70	70	70
	with unclamping monitoring	[bar]	20	20	20
Min. air pressure	[bar]	3	3	3	3
α ±1	[°]	13.5	10.5	14	16
a1	[mm]	39.4	43	48.5	50.5
a2	[mm]	32	34	40.6	40.8
b	[mm]	6	7	10	10
c1	[mm]	5	5	7	8.5
c2	[mm]	14	12	7	8.5
c3	[mm]	14	16	16	22.5
Ød H7/f7	[mm]	25	32	40	45
e1	[mm]	27	28	36.5	36.5
e2	[mm]	59	60	67.5	67.5
e3	[mm]	17	20	22	22
f1	[mm]	24,7	25,9	31,3	33,8
f2	[mm]	30,7	30,5	31,3	33,8
f3	[mm]	34,3	37	40,4	48,1
g	[mm]	32,5	36,5	43	46
g1 max.*	[mm]	49,3	51	63	64,8
g2 min./max.*	[mm]	85 / 87,5	86 / 89,5	97,7 / 99,7	100,9 / 103
g3	[mm]	44	47,2	55,4	60,6
h1 min. / h1 max.	[mm]	15.5 / 20	15.5 / 20	15.5 / 22	15.5 / 23.5
h2 min. / h2 max.	[mm]	1 / 3.5	2 / 2.5	1 / 5.5	1 / 7
h3 min. / h3 max.	[mm]	42 / 46.5	48 / 52.5	52.5 / 59	60.5 / 68.5
i	[mm]	43	46	44.5	47.5
k	[mm]	25	31	36.5	41
l	[mm]	34	42	48	55
m1	[mm]	5	6	8	8
m2	[mm]	21	26	32	35
n	[°]	50.4	55.8	56.1	62
Ø o	[mm]	5.2	6.2	6.2	8.2
Ø p H8	[mm]	29	36	44	49
r1	[mm]	13	13	14	14
r2	[mm]	28	28	31	31
s1 min.	[mm]	40	43.5	49	51
s2 ±0,1	[mm]	32	34	40.6	40.8
s3 min.	[mm]	6	7	9	10
t1	[mm]	20	23	23	29
t2	[mm]	8.5	12	10	17
u2 -0,05	[mm]	4	5	6	6
u3	[mm]	2	3	4	4
u4	[mm]	0.9x45°	1x45°	1.3x45°	1.3x45°
v1 x v2	[mm]	M5 x 10	M5 x 10	M8 x 17	M8 x 17
Ø v3	[mm]	5.5	5.5	8.5	8.5
z	[mm]	M5	M6	M6	M8

With pneumatic clamping monitoring Version with cover

Part no. - short clamping lever		1801 110	1802 110	1803 110	1804 110
Weight, approx.	[kg]	0.3	0.53	0.92	1.17
Part no. - long clamping lever (blank)		1801 130	1802 130	1803 130	1804 130
Weight, approx.	[kg]	0.57	0.88	1.4	1.7
Part no. - universal clamping lever		1801 150	1802 150	1803 150	1804 150
Weight, approx.	[kg]	0.32	0.57	0.93	1.06

Version without cover**

Part no. - short clamping lever		1801 111	1802 111	1803 111***	1804 111
Weight, approx.	[kg]	0.27	0.46	0.82	1.03
Part no. - long clamping lever (blank)		1801 131	1802 131	1803 131***	1804 131
Weight, approx.	[kg]	0.54	0.82	1.3	1.56
Part no. - universal clamping lever		1801 151	1802 151	1803 151***	1804 151
Weight, approx.	[kg]	0.29	0.51	0.83	0.92

With pneumatic unclamping monitoring

Part no. (version see above)		1801 1XXA	1802 1XXA	1803 1XXA	1804 1XXA
-------------------------------------	--	------------------	------------------	------------------	------------------

Without position monitoring

Part no. (version see above)		1801 1XXB	1802 1XXB	1803 1XXB	1804 1XXB
-------------------------------------	--	------------------	------------------	------------------	------------------

Accessories

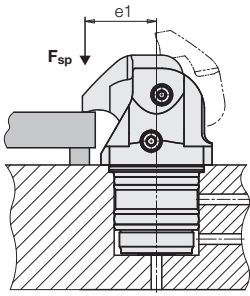
Part no. - short clamping lever		3548 1121	3548 1122	3548 1123	3548 1124
Part no. - long clamping lever (blank)		3548 1071	3548 1072	3548 1073	3548 1074
Part no. - universal clamping lever		3548 4111	3548 4112	3548 4113	3548 4114
Screw for universal clamping lever	[mm]	M5x30 -12.9	M5x30 -12.9	M8x35 -12.9	M8x35 -12.9
Tightening torque	[Nm]	10	10	42	42
Part no.		3301 1019	3301 1019	3301 468	3301 468

* min. = height in unclamping position as presented. max. = max. height for swinging

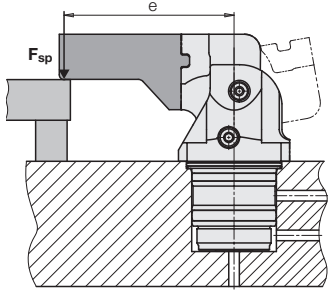
** use screw material 12.9; *** max. operating pressure 200 bar

Clamping forces

Short clamping lever



Universal clamping lever



Calculation of the clamping force

1. Clamping lever length e is known

- 1.1 Admissible clamping force as a function of the clamping lever length e

$$F_{adm} = \frac{A}{e - B} \quad [\text{kN}]$$

- 1.2 Admissible operating pressure

$$p_{adm} = \frac{F_{adm} \cdot 100}{C} \left(\frac{e - B}{D} + 1 \right) \quad [\text{bar}]$$

- 1.3 Effective clamping force at other pressure p

- 1.3.1 F_{adm} and p_{adm} are known

$$F_{sp} = F_{adm} \frac{p}{p_{adm}} \leq F_{adm} \quad [\text{kN}]$$

- 1.3.2 In general:

$$F_{sp} = \frac{C}{\left(\frac{e - B}{D} + 1 \right) \cdot 100} \cdot p \leq F_{adm} \quad [\text{kN}]$$

2. Maximum clamping lever length depending on the existing operating pressure

$$e_{max} = \frac{A}{(C \cdot 0.01 \cdot p) - E} + B \quad [\text{mm}]$$

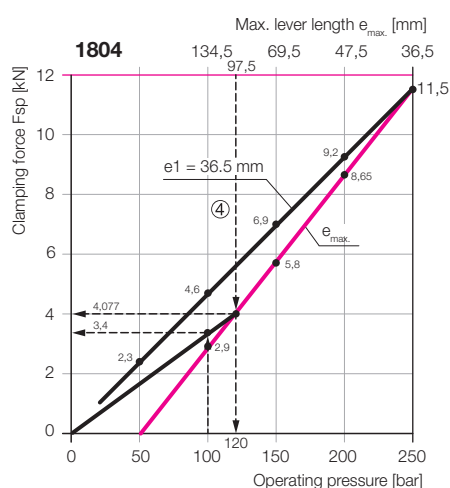
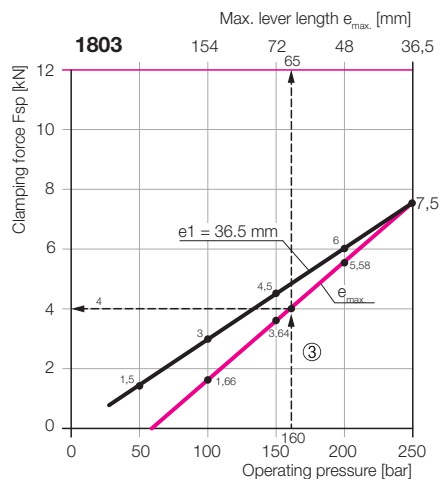
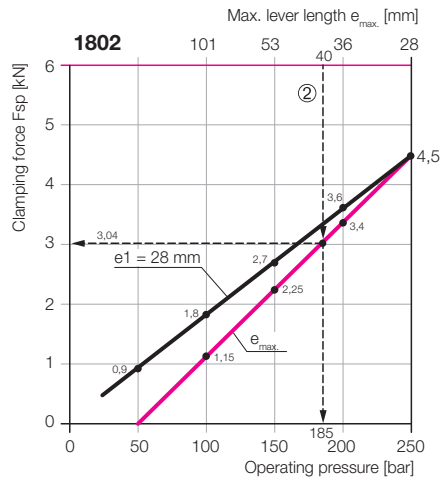
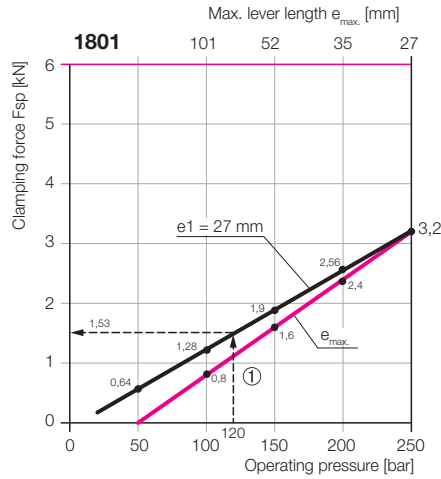
F_{sp}, F_{adm} = Clamping force [kN]
 $e, e1, e_{max}$ = Clamping lever length [mm]
 p, p_{adm} = Operating pressure [bar]
 $A...E$ = Constants as per chart

Enter the variables in the above units into the formulas

Constants

Size	1801	1802	1803	1804
A	80	112.5	251.3	385.3
B	2	3	3	3
C	1.594	2.262	3.888	5.718
D	101.7	97.62	113	138.1
E	0.787	1.152	2.224	2.789

Clamping force diagrams



Example ① Compact clamp 1801 110
 Series clamping lever $e1 = 27 \text{ mm}$
 $F_{adm} = 3.2 \text{ kN}$ at $p_{adm} = 250 \text{ bar}$
 Operating pressure $p = 120 \text{ bar}$

Effective clamping force

$$F_{sp} = F_{adm} \frac{p}{p_{adm}} = 3.2 \frac{120}{250} = 1.536 \text{ kN}$$

alternative

$$F_{sp} = \frac{C}{\left(\frac{e - B}{D} + 1 \right) \cdot 100} \cdot p$$

$$F_{sp} = \frac{1.594}{\left(\frac{27 - 2}{101.7} + 1 \right) \cdot 100} \cdot 120$$

$$F_{sp} = 1.535 \text{ kN}$$

Example ② Compact clamp 1802 110
 Series clamping lever $e = 40 \text{ mm}$

Admissible clamping force

$$F_{adm} = \frac{A}{e - B} = \frac{112.5}{40 - 3} = 3.04 \text{ kN}$$

Admissible operating pressure

$$p_{adm} = \frac{F_{adm} \cdot 100}{C} \cdot \left(\frac{e - B}{D} + 1 \right)$$

$$p_{adm} = \frac{3.04 \cdot 100}{2.262} \cdot \left(\frac{40 - 3}{97.62} + 1 \right)$$

$$p_{adm} = 185 \text{ bar}$$

Example ③ Compact clamp 1803 110
 Operating pressure $p = 160 \text{ bar}$
 Special clamping lever

Maximum clamping lever length

$$e_{max} = \frac{A}{(C \cdot 0.01 \cdot p) - E} + B$$

$$e_{max} = \frac{251.3}{(3.888 \cdot 0.01 \cdot 160) - 2.224} + 3$$

$$e_{max} = 65.875 \text{ mm} \rightarrow 65 \text{ mm}$$

Maximum clamping force

$$F_{sp} = \frac{C}{\left(\frac{e - B}{D} + 1 \right) \cdot 100} \cdot p$$

$$F_{sp} = \frac{3.888}{\left(\frac{65 - 3}{113} + 1 \right) \cdot 100} \cdot 160$$

$$F_{sp} = 4 \text{ kN}$$

Example ④ Compact clamp 1804 110
 Special clamping lever $e = 97.5 \text{ mm}$

Admissible clamping force

$$F_{adm} = \frac{A}{e - B} = \frac{385.3}{97.5 - 3} = 4.077 \text{ kN}$$

Admissible operating pressure

$$p_{adm} = \frac{F_{adm} \cdot 100}{C} \cdot \left(\frac{e - B}{D} + 1 \right)$$

$$p_{adm} = \frac{4.077 \cdot 100}{5.718} \cdot \left(\frac{97.5 - 3}{138.1} + 1 \right)$$

$$p_{adm} = 120 \text{ bar}$$

Effective clamping force at 100 bar

$$F_{sp} = \frac{C}{\left(\frac{e - B}{D} + 1 \right) \cdot 100} \cdot p$$

$$F_{sp} = \frac{5.718}{\left(\frac{97.5 - 3}{138.1} + 1 \right) \cdot 100} \cdot 100$$

$$F_{sp} = 3.4 \text{ kN}$$

Admissible flow rate Important notes

Admissible flow rate

The admissible flow rate as per the chart on page 3 refers to the "short" clamping lever. Thus the clamping time is approx. 0.6 seconds and the unclamping time approx. 1 second. Longer clamping levers with larger mass moments of inertia cause higher loads on the swing mechanism, which results in higher wear. The end stop during unclamping is also critical. Therefore, the flow rate should be reduced with longer clamping levers according to the following formula:

$$Q_L = Q_K \cdot \sqrt{\frac{J_K}{J_L}} \text{ cm}^3/\text{s}$$

Q_L = Adm. flow rate with longer special clamping lever

Q_K = Adm. flow rate with "short" clamping lever as per the chart on page 3

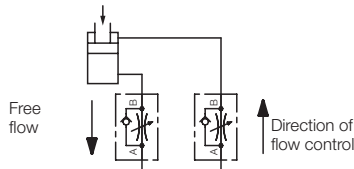
J_K = Moment of inertia of the "short" clamping lever (see chart)

J_L = Moment of inertia of the special clamping lever

$$\text{Clamping time } t_{sp} = \frac{\text{Oil volume clamping } [\text{cm}^3]}{\text{Adm. flow rate } \frac{[\text{cm}^3]}{\text{s}}} [\text{s}]$$

Throttling of the flow rate

A flow rate throttling has to be effected in the supply line to the compact clamp. This avoids a pressure intensification and thereby pressures exceeding 250 bar.



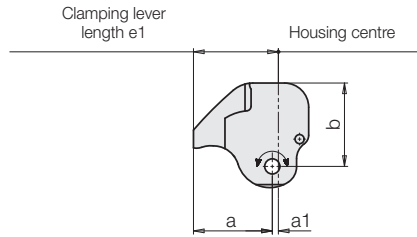
Determine the moment of inertia

Due to the complicated shape of the clamping levers, the mass moment of inertia can only be determined with the help of a CAD model in the computer.

Attention! The clamping lever length e always starts from the centre of the housing. As the examples show, the swing axis for determining the moment of inertia is offset by 1-2 mm. The exact position of the swing axis can be determined with the coordinates a and b .

Short clamping lever

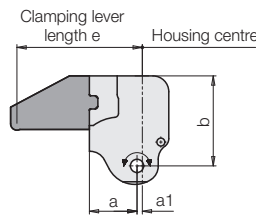
The moment of inertia in the chart is the starting point for the maximum flow rate and the shortest possible clamping time.



Size		1	2	3	4
e1	[mm]	27	28	36.5	36.5
a	[mm]	26	26	34.5	34.5
a1	[mm]	1	2	2	2
b	[mm]	25.5	27.5	33	36
Moment of inertia J_K	[kgmm ²]	22	34	98	125

Universal clamping lever

The universal clamping lever is supplemented by clamping arm provided by the customer and the fixing screw. A CAD model should be created in the assembled state to determine the moment of inertia.



Size		1	2	3	4
e	[mm]	Customer request			
a	[mm]	16	18	20	20
a1	[mm]	1	2	2	2
b	[mm]	34.5	38.5	42	50
Moment of inertia J_{L1}	[kgmm ²]	Universal clamping lever			
		49	97	170	294
+ extension J_{L2}	[kgmm ²]	Determine with CAD model			

Important notes

The compact clamps are designed exclusively for clamping of workpieces in industrial applications.

Hydraulic clamping elements can generate considerable forces. The workpiece, the fixture or the machine must be in the position to compensate these forces.

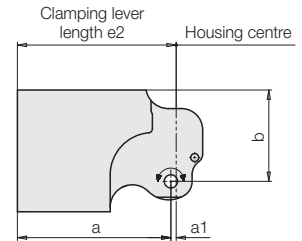
In the effective area of clamping lever there is the danger of crushing. The manufacturer of the fixture or the machine is obliged to provide effective protection devices.

During loading and unloading of the fixture a collision with the clamping lever has to be avoided. Remedy: Mount position adaptor.

The height of the flange surface of the compact clamp and the height of the clamping surface

Long clamping lever (blank)

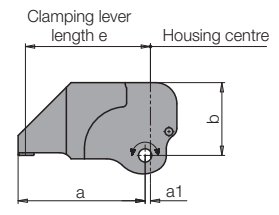
The blank is not a finished clamping lever. The value in the chart shows how high the maximum moment of inertia can rise.



Size		1	2	3	4
e2	[mm]	59	60	67.5	67.5
a	[mm]	58	58	65.5	65.5
a1	[mm]	1	2	2	2
b	[mm]	34.5	34.5	33	36
Moment of inertia J_L	[kgmm ²]	576	756	1234	1477

One-piece special clamping lever

A one-piece special clamping lever can only be manufactured at Römheld because exact contours are required for the swing mechanism and the pneumatic position monitoring.



Size		1	2	3	4
e	[mm]	Customer request			
a	[mm]	Customer request			
a1	[mm]	1	2	2	2
b	[mm]	25.5	27.5	33	36
Moment of inertia J_L	[kgmm ²]	Determine with CAD model			

on the workpiece should be matched so that the clamping height is approximately in the middle of the usable clamping stroke.

The compact clamp has to be checked regularly on contamination by swarf and has to be cleaned.

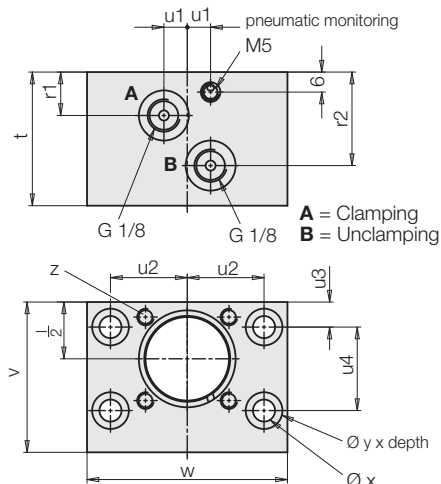
For dry machining, minimum quantity lubrication and in case of accumulation of very small swarf or particles, regular disassembly, cleaning and lubrication of the lever mechanism as per operating manual is required.

Operating conditions, tolerances and other data see data sheet A 0.100.

Mounting body Pneumatic position monitoring

Mounting body

for version with pipe thread and cover



Size		1	2	3	4
l	[mm]	34	42	48	55
r1	[mm]	13	13	14	14
r2	[mm]	28	28	31	31
t	[mm]	40	44	50	52
u1	[mm]	7	7.5	10	10
u2	[mm]	23	26	31	34
u3	[mm]	7.5	7.5	8	8
u4	[mm]	25	28	34	38
v	[mm]	45	50	58	63
w	[mm]	60	65	78	85
Ø x	[mm]	6.6	6.6	8.5	8.5
Ø y x depth	[mm]	11 x 7	11 x 7	13.5 x 9	13.5 x 9
z	[mm]	M5	M6	M6	M8
Weight, approx.	[kg]	0.61	0.75	1.16	1.4
Part no.		3468381	3468382	3468383	3468384

Pneumatic position monitoring

1. Pneumatic clamping monitoring

In the clamping area, the clamping lever slides downwards at two hardened surfaces of the body. In one of the surfaces there is the bore hole for the pneumatic clamping monitoring. The clamping lever overruns the bore hole, but does not completely close it. Only when the workpiece is really clamped, the clamping lever supports itself on the sliding surface and the bore hole will be firmly closed.

The clamping monitoring signals:

- The clamping lever is in the usable clamping range and
- a workpiece is clamped.

Important note

Required minimum pressures for clamping monitoring:

- Hydraulics 70 bar
- Pneumatics 3 bar

2. Pneumatic unclamping monitoring

In the unclamping position the clamping lever closes a pneumatic bore hole.

Important note

The compact clamp is available with "clamping monitoring" or "unclamping monitoring". The control of both positions is not possible since the minimum dimensions of the housing allow only one pneumatic connection.

Monitoring by pneumatic pressure switch

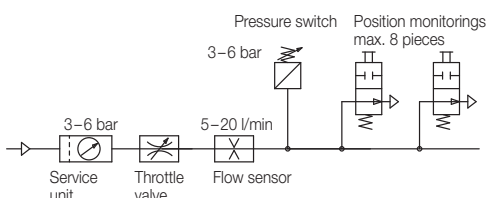
For the evaluation of the pneumatic pressure increase standard pneumatic pressure switches can be used.

With one pressure switch up to 8 compact clamps can be controlled.

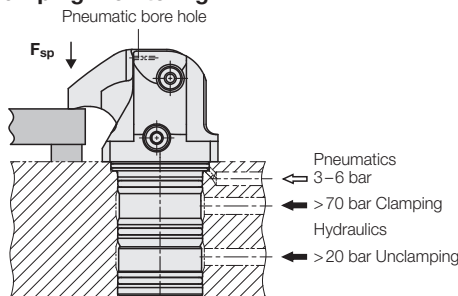
Important note

Pneumatic position monitorings are only process-safe, when air pressure and air volume are precisely adjusted.

For measuring the air volume, appropriate devices are available. Please contact us.



Clamping monitoring



Example for clamping position

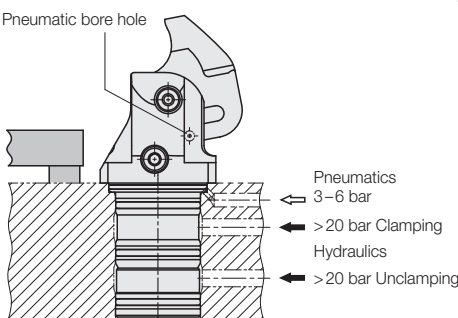
Required switching pressure 4.5 bar

Pressure drop, if 1 compact clamp is not clamped approx. 2 bar

As per diagram:

Required flow rate approx. 10-13 l/min (depending on the number of connected compact clamps)

Unclamping monitoring



Example for unclamping position

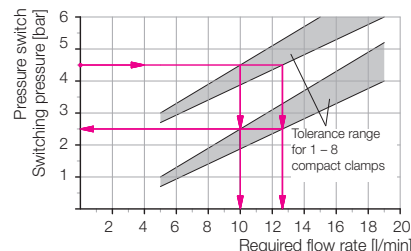
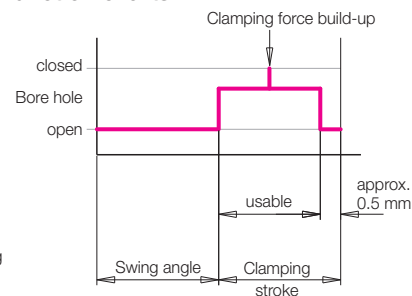
Required switching pressure 4.5 bar

Pressure drop, if 1 compact clamp is not unclamped approx. 2 bar

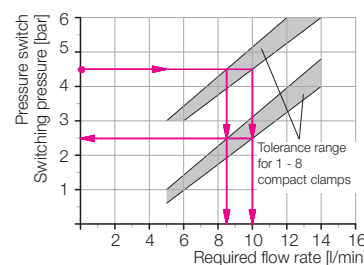
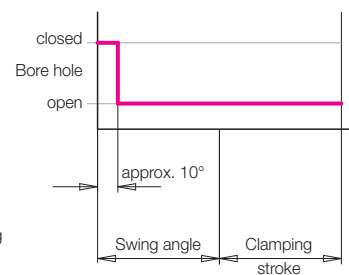
As per diagram:

Required flow rate approx. 8.5-10 l/min (depending on the number of connected compact clamps)

Function charts



Required flow rate depending on the switching pressure of the pneumatic pressure switch for a pressure drop Δp 2 bar



Required flow rate depending on the switching pressure of the pneumatic pressure switch for a pressure drop Δp 2 bar