



**Directional Control Valve Combination ND 4**  
manually operated, single/double acting,  
max. operating pressure 500 bar

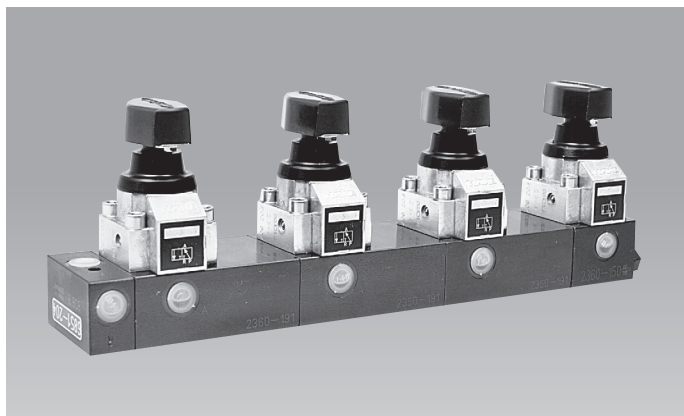
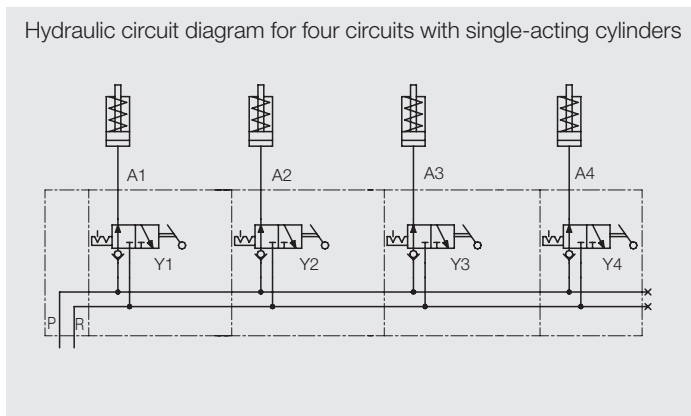


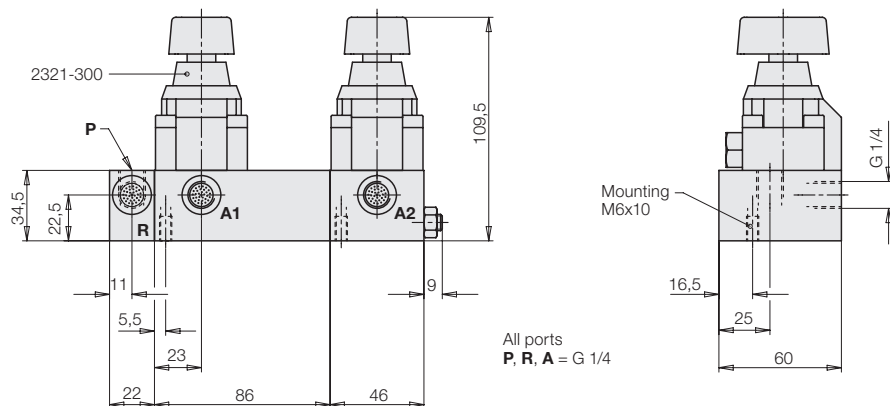
Figure: valve block for four clamping circuits with single-acting cylinders



**Single-acting version**

These directional control valve combinations are particularly suited for operating of individual clamping points in multiple clamping systems.

**Dimension example: single-acting version for two clamping circuits (6851 202)**



All ports  
P, R, A = G 1/4

**General data**

Description	3/2 directional control valve
Type	Poppet valve
Type of mounting	Thread M6
Porting connection	Mounting plate
Port size	G 1/4
Weight	see data sheet C 2.320

**Hydraulic data**

Adm. operating press.	0 – 500 bar
Adm. flow rate	8 l/min
Direction of flow	only in direction of arrow as in symbol
Hydraulic oil	HLP 22
Δ p-Q curve	see data sheet C 2.320

**Operating specification**

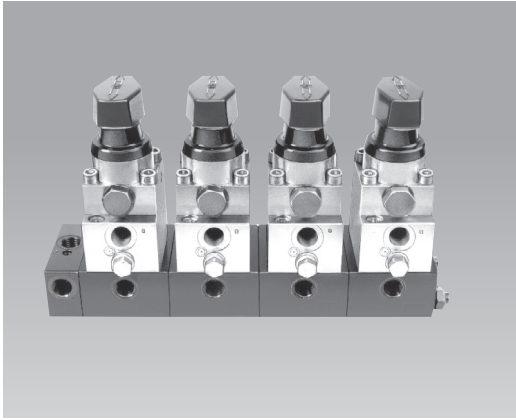
manually operated	
Angle of rotation	90°
Operating torque	0.63 Nm

**Valve combinations single-acting**

Number of clamping circuits	Part no.
1	6851 201
2	6851 202
3	6851 203
4	6851 204
5	6851 205
6	6851 206
7	6851 207

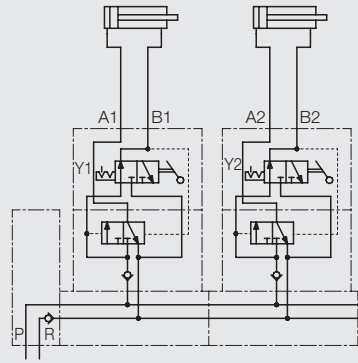
Further combinations are available on request.

## Double-acting versions



**Figure:** valve block for four clamping circuits with double-acting cylinders

Hydraulic circuit diagram for two double-acting cylinders



### Double-acting version

These valve combinations can be used to operate double-acting cylinders. A 3/2 directional control valve and an intermediate valve plate are operated by a turning knob so that the double-acting function is obtained. The design of the subplates allows the combination with single-acting units of page 1.

#### General data

Description	4/2 directional control valve
Type	Poppet valve
Type of mounting	Thread M6
Porting connection	Mounting plate
Port size	G 1/4
Weight	approx. 3.5 kg / operating unit

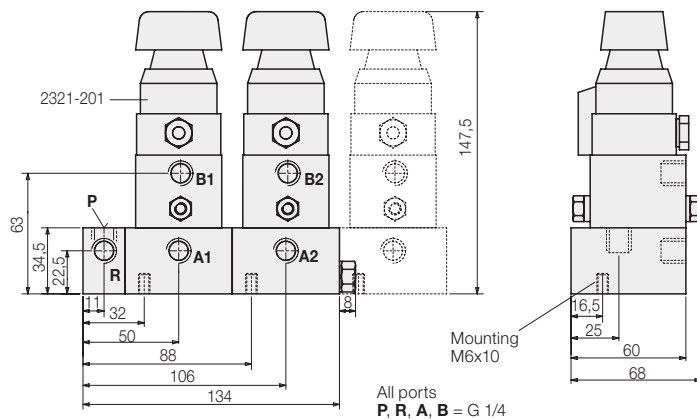
#### Hydraulic data

Adm. operating press.	0 – 500 bar
Adm. flow rate	8 l/min
Direction of flow	only in direction of arrow as in symbol
Hydrauliköl	HLP 22

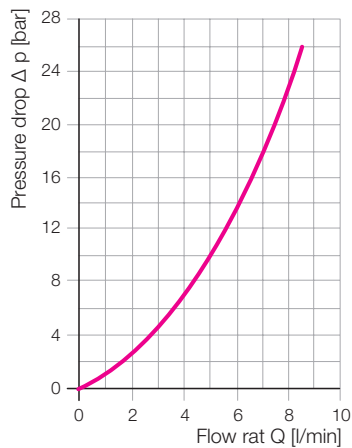
#### Operating specification

manually operated	
Angle of rotation	90°
Operating torque	0.63 Nm

### Dimensions for double-acting version



$\Delta p$ -Q characteristic curve for kinematic viscosity of  $53 \times 10^{-6} \text{ m}^2/\text{s}$  (HLP 22 at 20 °C)



### Valve combinations double-acting

Number of clamping circuits	Part no.
1	2365001
2	2365002
3	2365003
4	2365004
5	2365005

Further combinations are available on request.