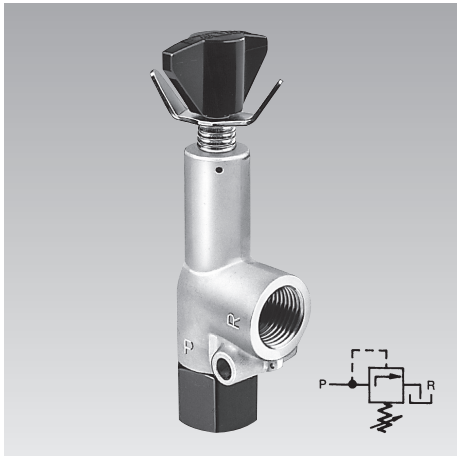




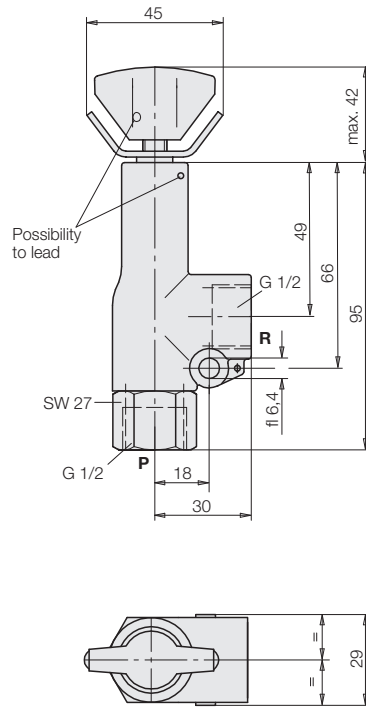
Pressure Relief Valves
max. operating pressure 500 bar



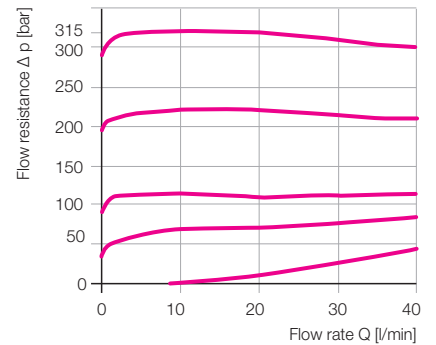
Pressure relief valve
Protection against exceeding the max. operating pressure of the fixture (safety valve) or limiting of working pressures.

Type	poppet valve, directly controlled
Type of mounting	installation in line
Port size	G 1/2
Weight, approx.	0.3 kg

Pipe thread



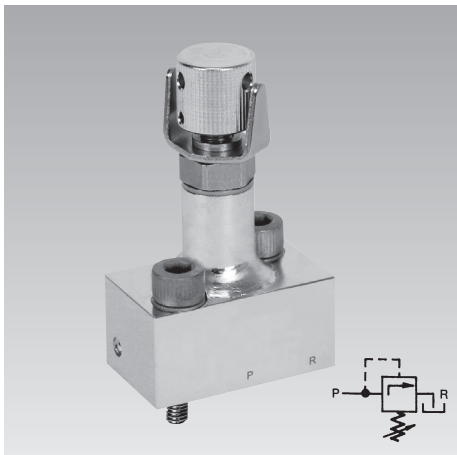
Δ p-Q characteristic curve



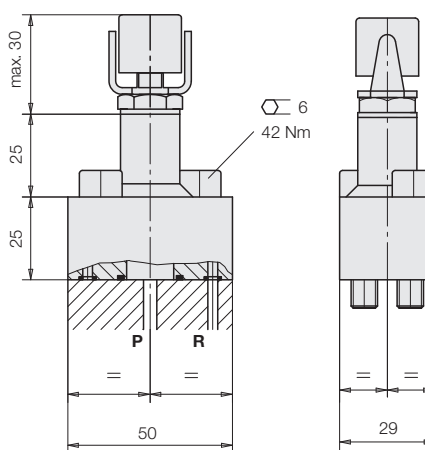
Oil viscosity during measurement 50 mm²/s

Hydraulic characteristics

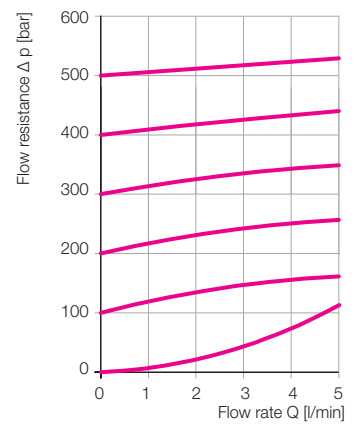
Range of adjustment	[bar]	0 ... 500
Oil temperature	[°C]	-25 ... +80
Max. flow rate	[l/min]	40
Max. operating pressure		
Port P	[bar]	500
Port R	[bar]	20
Part no.		2952521
Max. operating pressure		
Ports P and R	[bar]	500
Part no.		2952525



Manifold-mounting connection



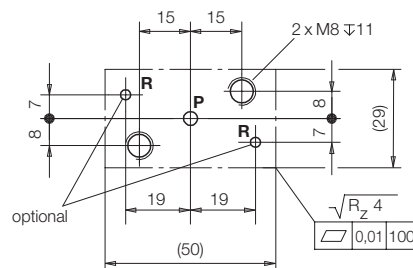
Δ p-Q characteristic curve



Type	poppet valve, directly controlled
Type of mounting	flange type
Port size	ND 3
Weight, approx.	0.3 kg
Connection	O-ring
P (Ø4)	17.12 x 2.62 NBR 90 Sh
R (2 x Ø3)	4.47 x 1.78 NBR 90 Sh

O-rings and screws are included in the delivery!

Connecting scheme



Hydraulic characteristics

Range of adjustment	[bar]	20 ... 500
Oil temperature	[°C]	-25 ... +80
Max. flow rate	[l/min]	5
Max. operating pressure		
Port P	[bar]	500
Port R	[bar]	400
Part no.		2952010