



High-Pressure Filter

Made of stainless steel and steel,
max. operating pressure 350 and 500 bar

Description

Filter elements are used to protect hydraulic elements against contaminations.

They are installed e.g. in front of valves and intensifiers and avoid the penetration of swarf and contaminations. The safety of functioning as well as the life are considerably increased.

Up to their complete clogging all filters are pressure stable up to the max. operating pressure and due to their stainless steel version they can be used also for water and other liquids as e.g. cooling lubricants (except 3887 030).

Important note

When using these high-pressure filters (except 3887086 and 3887030) pay attention to the permitted flow direction, otherwise the filter element can be damaged (see example page 4).

High-pressure filter with rectifier function



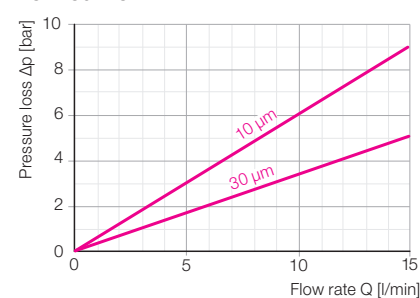
Advantages

- Suitable for large flow rates
- Up to 350 bar operating pressure
- Filter insert can be cleaned
- Simple exchange of the filter insert without dismounting the element
- Connection via fittings or drilled channels
- Flow direction variable

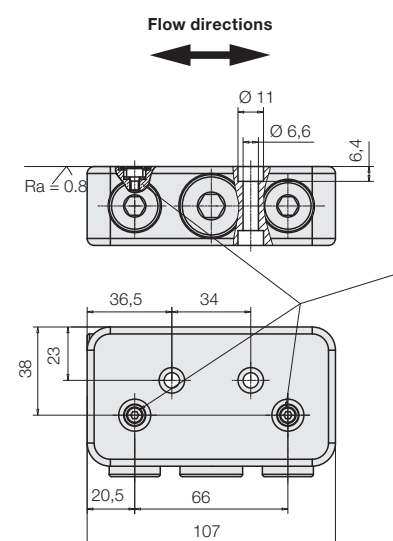
Technical data

Max. operating pressure	350 bar
Filter capacity	10 or 30 µm
Filter material	stainless steel
Filter body material	stainless steel
Part no. Filter capacity 10 µm	3887086
Part no. Filter capacity 30 µm	3887153

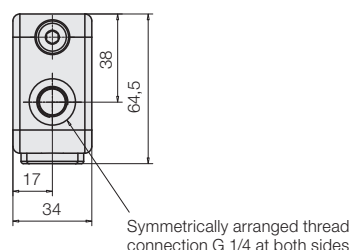
Flow curve



Dimensions



For manifold mounting remove socket head cap screws and sealing rings. Screw in two plugs G 1/4 (Part no. 3300821). (Not included in the delivery).
The two O-rings 10 x 2 (Part no. 3000347) are not included in the delivery.

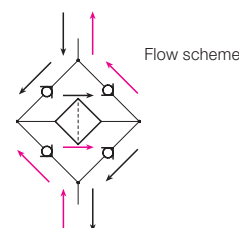


Description

This new high-pressure filter with rectifier function has been designed to protect high-quality hydraulic components.

With the unique rectifier function this filter is perfect for all systems where operating stroke and return stroke are effected through one line (e.g. clamping and unclamping line in a hydraulic fixture).

The filter element is flown through always in one direction during the operating stroke as well as during the return stroke. This implies safe removal of contaminations and thereby optimum protection of high-quality components.



These very long-life filter elements can be cleaned. There are no high follow-up costs. Due to its compact design this filter can be mounted in nearly every system and is also perfectly suitable for retrofitting.

The filter can be integrated in the hydraulic circuit via fittings and tubes or drilled channels and O-ring connection.

The filter insert can be taken out at the side and be cleaned without opening the hydraulic circuit.

Spare part

	Part no.
Filter insert, special steel, 10 µm	3887071
Filter insert, special steel, 30 µm	3887104

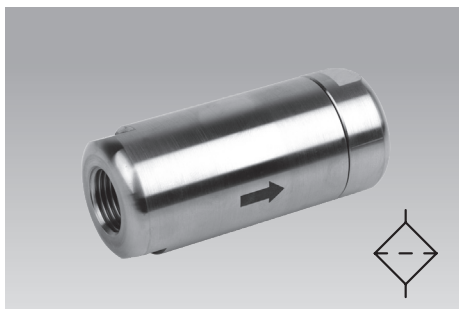
Accessories

	Part no.
Screw plug G 1/4	3300821
O-Ring 10 x 2 for manifold mounting	3000347

High-pressure Filter made of Stainless Steel

max. operating pressure 350 bar

High-pressure filter



Advantages

- Suitable for large flow rates
- Up to 350 bar operating pressure
- Filter insert can be cleaned

Technical data

Max. operating pressure	350 bar
Filter capacity	10 µm
Filter capacity	stainless steel
Filter body material	stainless steel

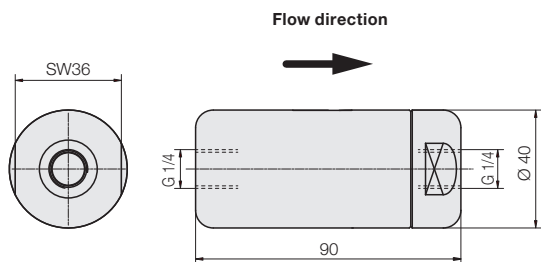
Part no. 3887087

Spare part

Filter insert, stainless steel, 10 µm

Part no. 3887088

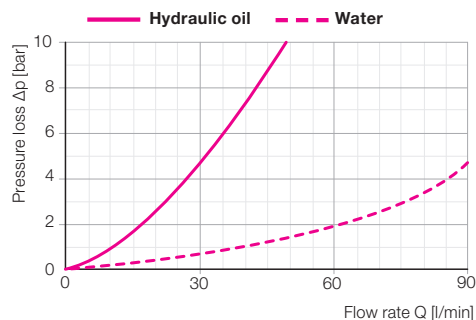
Dimensions



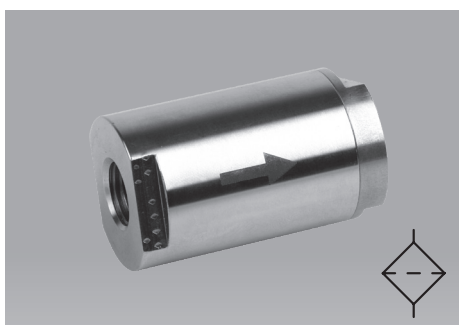
Important note

In the case of flow in both directions pay attention to the circuit example on page 4!

Flow curve



High-pressure filter, compact



Advantages

- Compact design for use in limited space
- Up to 350 bar operating pressure
- Filter insert can be cleaned

Technical data

Max. operating pressure	350 bar
Filter capacity	10 or 30 µm
Filter material	stainless steel
Filter body material	stainless steel

Part no. Filter capacity 10 µm 3887067

Part no. Filter capacity 30 µm 3887154

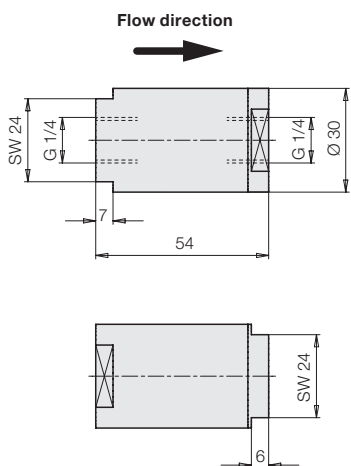
Spare part

Part no.

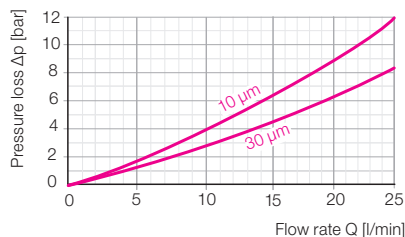
Filter insert, stainless steel, 10 µm 3887071

Filter insert, stainless steel, 30 µm 3887104

Dimensions



Flow curve



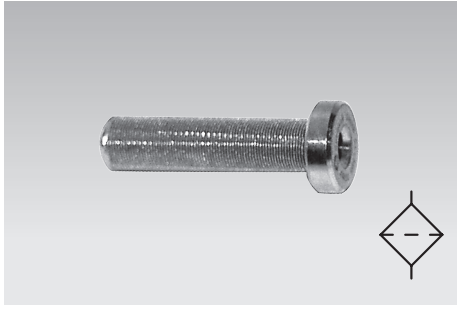
Important note

In the case of flow in both directions pay attention to the circuit example on page 4!

High-pressure Plug-in Filter made of Stainless Steel

max. operating pressure 350 bar

High-pressure plug-in filter



Advantages

- Minimum dimensions
- For installation in drilled channels and plates, thereby direct protection of hydraulic components

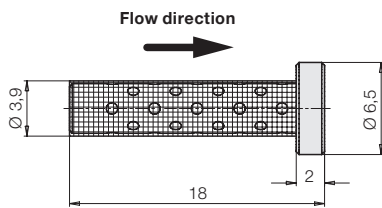
Technical data

Max. operating pressure	350 bar
Max. flow rate	3 l/min
Filter capacity	10 µm
Filter material	stainless steel
Filter body material	stainless steel
Part no.	3887066

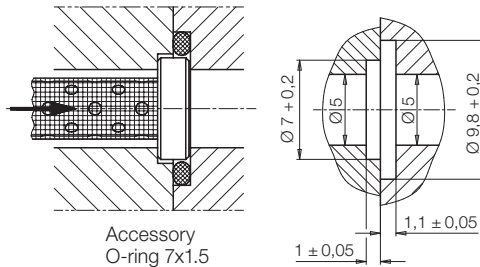
Accessories

O-ring 7 x 1.5	Part no. 3000342
----------------	-----------------------------------

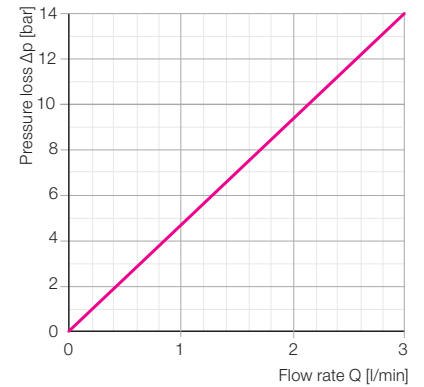
Dimensions



Mounting dimensions



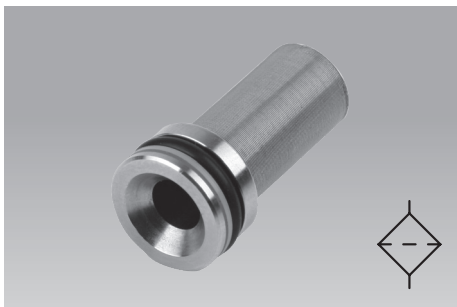
Flow curve



Important note

In the case of flow in both directions pay attention to the circuit example on page 4!

High-pressure plug-in filter



Advantages

- Compact dimensions
- For installation in drilled channels and plates, thereby direct protection of hydraulic components

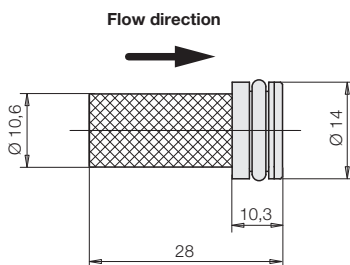
Technical data

Max. operating pressure	350 bar
Filter capacity	10 or 30 µm
Filter material	stainless steel
Filter body material	stainless steel
Part no. Filter capacity 10 µm	3887071
Part no. Filter capacity 30 µm	3887104

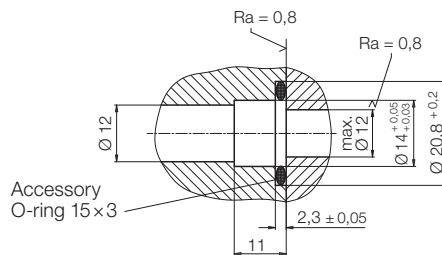
Accessories

O-Ring 15 x 3	Part no. 3002017
---------------	-----------------------------------

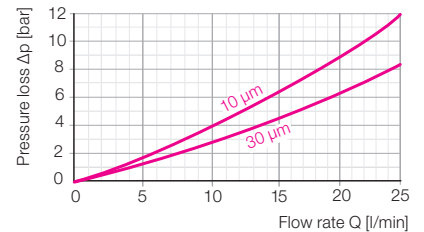
Dimensions



Mounting dimensions



Flow curve



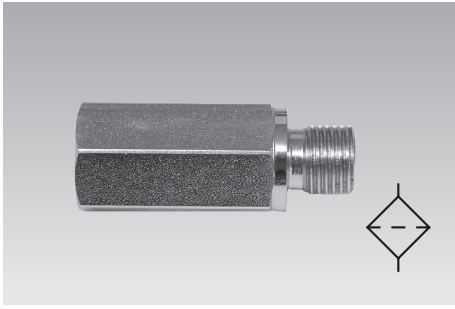
Important note

In the case of flow in both directions pay attention to the circuit example on page 4!

High-pressure Screw-in Filter made of Steel

max. operating pressure 500 bar

High-pressure screw-in filter



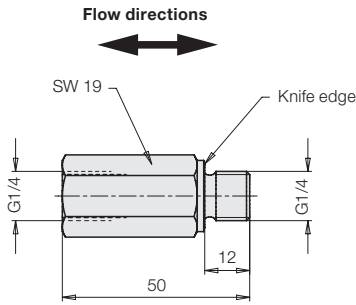
Advantages

- For installation in front of couplings
- For protection against rough swarf
- Up to 500 bar operating pressure
- Flow direction variable

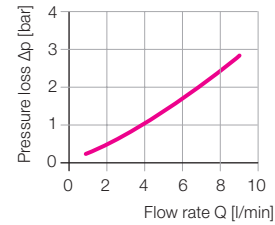
Technical data

Max. operating pressure	500 bar
Filter capacity	100 μm
Filter material	steel
Filter body material	steel, galvanized
Part no.	3887 030

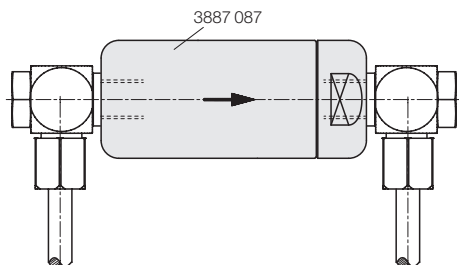
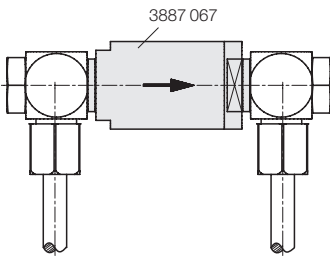
Dimensions



Flow curve



Installation examples with swivel banjo couplings for easy change of the filter insert



Circuit example for a filter with only one permitted flow direction

