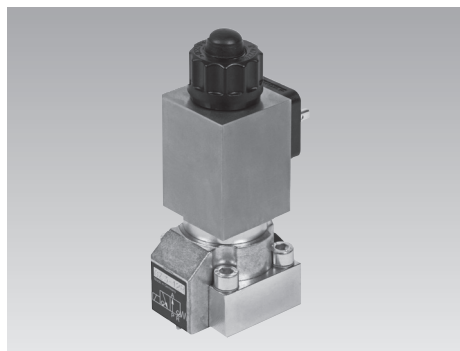




Directional Control Valves ND 4
electrically-operated for cable socket
max. operating pressure 500 bar (350 bar)



Technical data

Type	poppet valve hermetically sealed
Type of mounting	4 screws M 6
Tightening torque	9.5 Nm
Type of connection	Mounting plate see reverse

Hydraulic characteristics

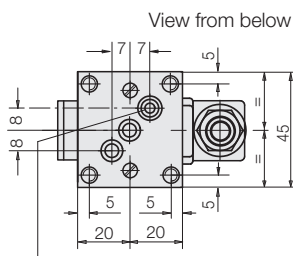
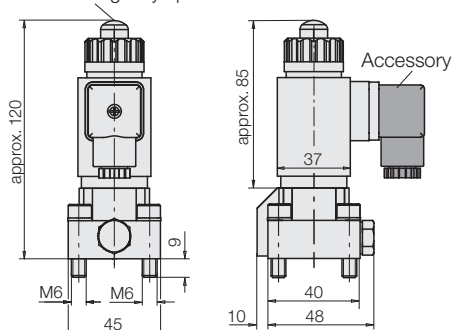
Adm. operating pressure	500 bar
Adm. flow rate	8 l/min
Direction of flow	only in direction of arrow as in symbol
Hydraulic oil	HLP 22

Electrical characteristics

Nominal voltage +5% – 10%	24 V DC
Inrush power	18 W
Holding power	18 W
Power consumption	18 W
Make time	100 ms
Brake time	50 ms
Max. cycles	2000/h
Duty cycle	100 % ED
Code class	IP 54
Connection	for cable socket EN175301-803 Form A

2/2 and 3/2 directional control valves

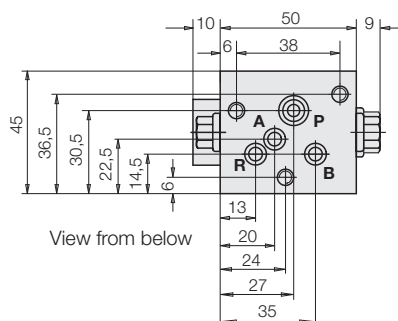
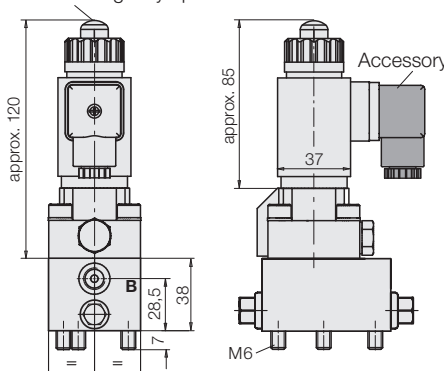
Manual emergency operation



Bore hole for plug-in check valve

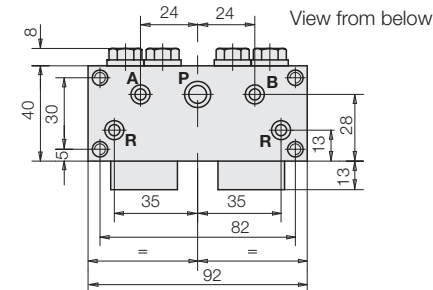
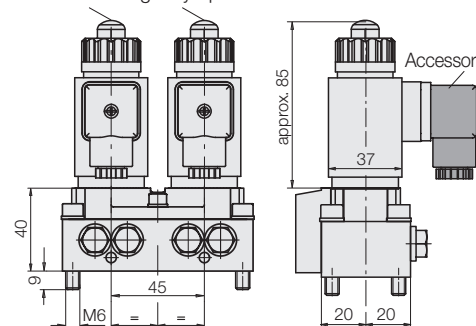
4/2 directional control valve

Manual emergency operation

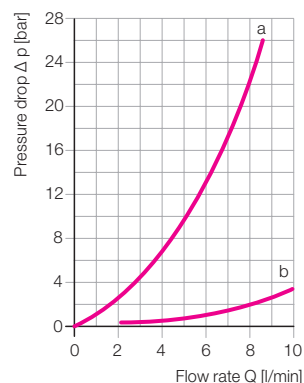


4/3 directional control valve*

Manual emergency operation



Δp -Q characteristic curve for kinematic Viscosity of $53 \times 10^{-6} \text{ m}^2/\text{s}$ (HLP 22 at 20 °C)



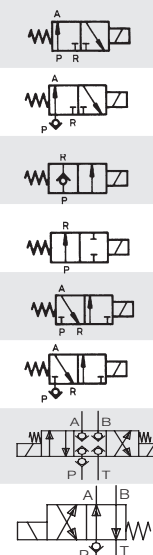
a = solenoid valve P → A and A → R
b = plug-in check valve

* max. 350 bar

Denomination

- 3/2 directional control valve GZ 3-1
- 3/2 directional control valve GZ 3-1 R
- 2/2 directional control valve GZ 2-1
- 2/2 directional control valve GS 2-1
- 3/2 directional control valve G 3-1
- 3/2 directional control valve G 3-1 R
- 4/3 directional control valve G 22-1*
- 4/2 directional control valve G 4-1R

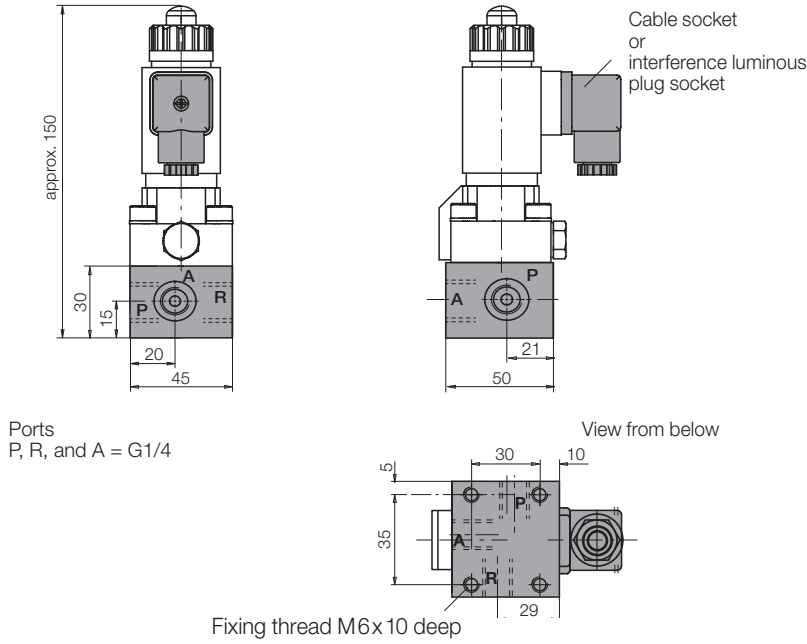
Symbol



**with socket adapter
Part no.**

- 2361520**
- 2361620**
- 2361621**
- 2361622**
- 2362520**
- 2362620**
- 2361522**
- 2362520
+2360114**

Single mounting plate for 2/2 and 3/2 directional control valve



Accessories

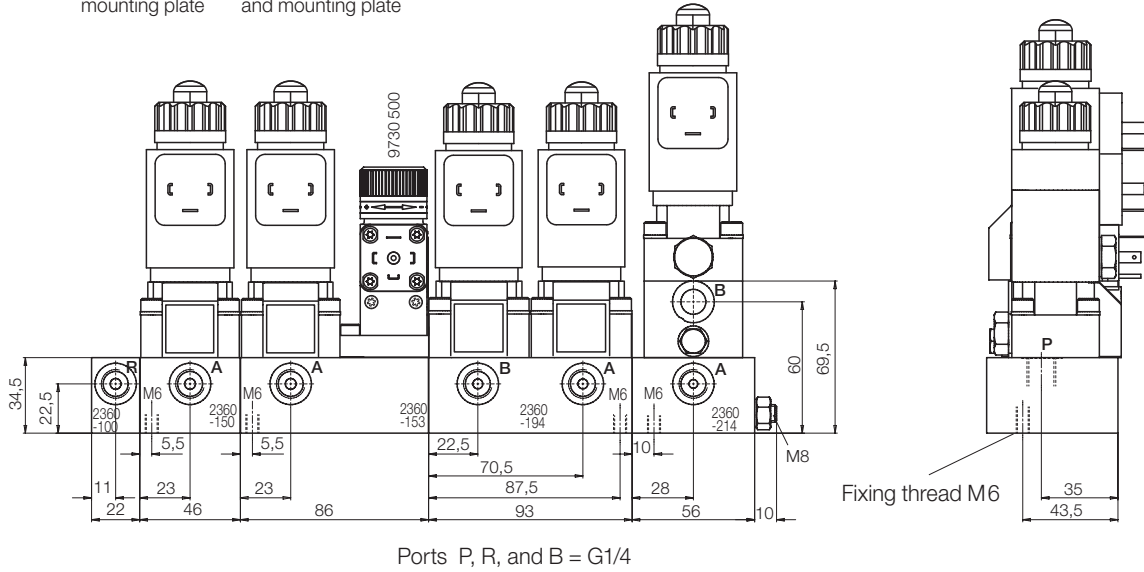
Accessories	Part no.
Cable socket as per EN175301-803 Form A	3141 012
Interference luminous plug socket	3141 477
Solenoid coil 24V/18W (spare part)	3142 320
Plug-in check valve (spare part)	3815 002
Single mounting plate	3534 039

Sealing (spare part)

	Ports	O-ring	Part no.
2/2 and 3/2 directional control valve	P and R	8 x 1.5	3000 343
	A	5 x 1.5	3000 340
4/2 and 4/3 directional control valve	P	8 x 1.5	3000 343
	A, B and R	5 x 1.5	3000 340

Example for series mounting plate combination

- 2/2 or 3/2-directional control valve with mounting plate
- 3/2 directional control valve with pressure switch and mounting plate
- 4/3 directional control valve with mounting plate
- 4/2 directional control valve with mounting plate



Example of ordering:

1 off mounting plate combination consisting of:

1 off input plate

Part no. 2360 100

1 off series mounting plate

Part no. 2360 150

1 off series mounting plate

Part no. 2360 153

1 off series mounting plate

Part no. 2360 194

1 off series mounting plate

Part no. 2360 214

1 off threaded rod M8 x 1000*

Part no. 3300 343

* Minimum length = 2 x total length of all mounting plates + 40 mm

