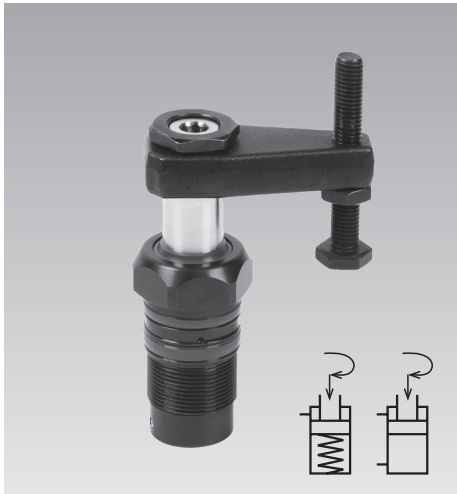


## Swing Clamps with Overload Protection Device

threaded-body type, single and double acting,  
max. operating pressure 500 bar



### Application

These hydraulic swing clamps are used when it is required to keep the fixture workpieces area free of straps and clamping components for unrestricted workpiece loading and unloading.

### Description

This design allows the use of swing clamps even in restricted places. The threaded-body swing clamp can be sunk directly into the fixture up to the hexagon. Oil feed through two holes, allowing for 3 fitting and hose connections:

#### 1. Individual connection

With only one swing clamp being used, both connections can be tapped directly.

#### 2. Series connection

If several swing clamps arranged in a row are required, the arrangement and size of holes shown below must be complied with. Instead of the expander stopper also, of course, an G 1/4 plug (Part no. 3610006) may be used.

#### 3. Connecting housing

By means of the connecting housing available as an accessory, the swing clamps can be individually fixed with screws and piped (page 2)

Standard swing angles are 45°, 60°, and 90° ± 2°. Mounting of the clamping arms can be made in any angular position.

All units are equipped with piston rod wipers and with an overload protection device which catches at every 180° angle. This is the initial position for the swing motion.

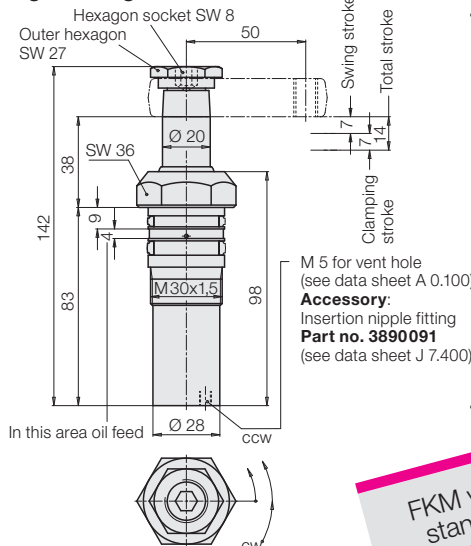
### Important notes

Due to the screwed mounting, this initial position cannot be predetermined. Therefore, the clamping arm can only be fixed when the housing has been screwed in tight. The hexagon socket of the piston is used for counterholding when the clamping arm is tightened by means of the flanged nut.

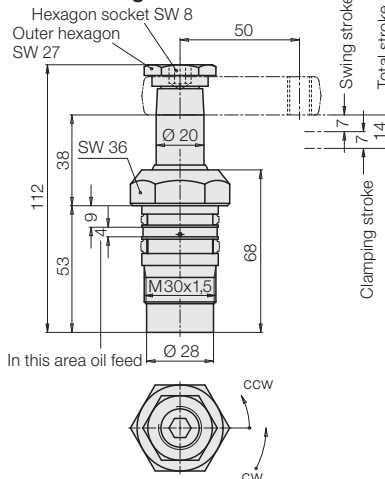
Operating conditions, tolerances and other data see data sheet A 0.100.

When using single-acting swing clamps, it is absolutely necessary to follow the instructions for venting of the spring area on data sheet G 0.110.

### Single-acting version



### Double-acting version



|                                  |                        |
|----------------------------------|------------------------|
| Effective piston area            | 1.01 cm <sup>2</sup>   |
| Piston area ratio                | ◇ 4,1                  |
| Swing stroke                     | 7 mm                   |
| Clamping stroke                  | 7 mm                   |
| Total stroke                     | 14 mm                  |
| Oil volume / stroke              | 1.5 cm <sup>3</sup>    |
| Oil volume / return stroke       | 6 cm <sup>3</sup>      |
| <b>Max. oil flow rate*</b>       | 1.5 cm <sup>3</sup> /s |
| Seating torque                   | 60 Nm                  |
| Min. actuation pressure to swing | ◇ 30 bar<br>50 bar     |

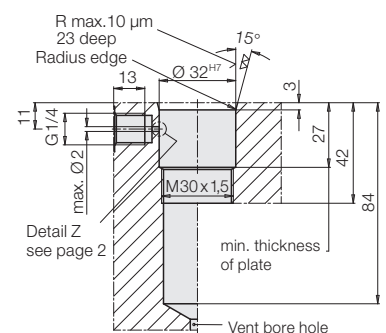
|                                   | Part no. |
|-----------------------------------|----------|
| <b>Single acting</b>              |          |
| Swing direction 90° cw **         | 1881 102 |
| Swing direction 90° ccw**         | 1881 202 |
| 0-degree                          | 1881 242 |
| <b>Double acting</b>              |          |
| Swing direction 90° cw**          | 1891 101 |
| Swing direction 90° ccw**         | 1891 201 |
| 0-degree                          | 1891 241 |
| Seal kit, external seals          | 0131 530 |
| ◇ valid for double-acting version |          |

#### \* Max. oil flow rate

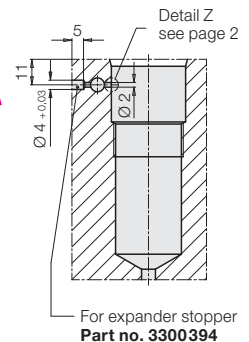
In case of the maximum oil flow rate as per chart the shortest possible clamping time is 1 second. If the flow rate of the pump divided by the number of swing clamps is higher than the indicated value in the chart, the flow rate has to be throttled to avoid any overload and thereby high wear. Throttling has to be made in the oil supply line to the swing clamp to rule out a possible pressure intensification. Use only flow control valves which allow oil return from the swing clamp without any impediments.

**Mounting instructions, accessories and clamping force diagram see page 2**

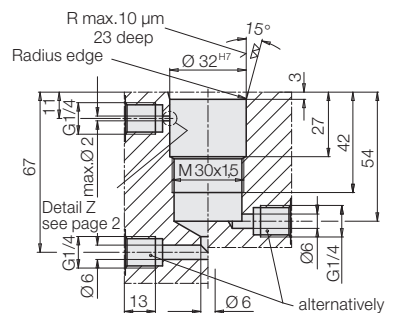
### Single-acting version - Individual connection



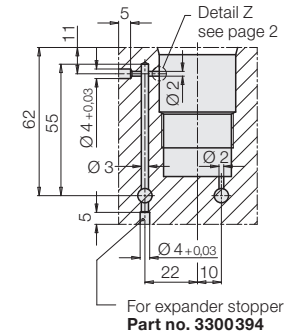
### - Series connection



### Double-acting version - Individual connection



### - Series connection



### Code numbers for available swing angles

| ** Swing angle | Part no. |
|----------------|----------|
| 90°            | 18X1 X0X |
| 60°            | 18X1 X2X |
| 45°            | 18X1 X3X |

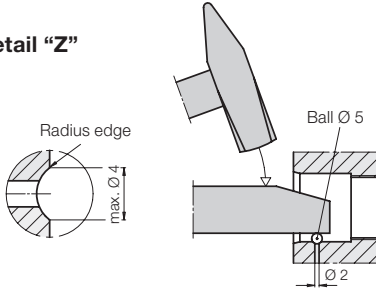
# Mounting instructions Accessories

## Mounting instructions

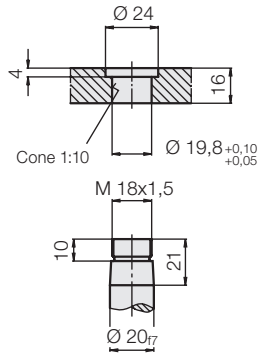
The screw-in thread must be cut with utmost care, especially in the area of the two joints. The round-off of the oil feed hole shown in detail "Z" is necessary or the lower O-ring will be damaged when screwed in. For this purpose there are two possibilities:

1. By means of a diameter 6 spherical grinder and a hand drill, the thread is deburred according to detail "Z".
  2. A diameter 5 steel ball is gauged with a light hammer blow as shown in the figure below.
- A final check with a finger shows best whether the transitions are smooth and free of burrs.

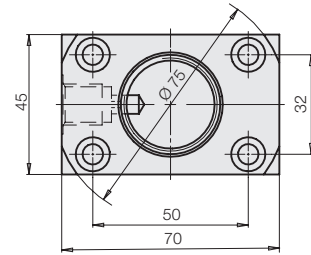
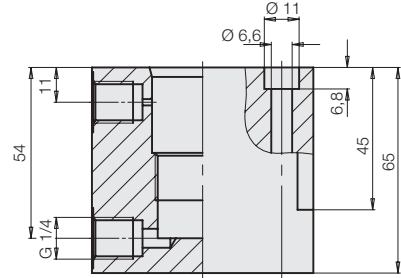
### Detail "Z"



## Strap attachment dimensions



## Connecting housing for double acting swing clamp Part no. 3467 143



## Clamping arm



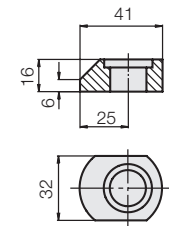
## Clamping arm, complete



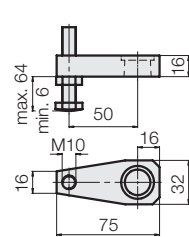
## Clamping strap, complete



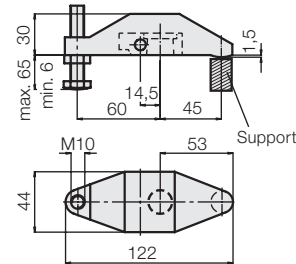
## Double clamping arm assembly, complete



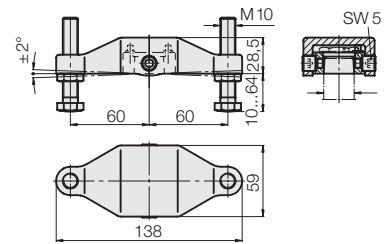
Weight [kg] 0.08  
Part no. 3548 159



Weight [kg] 0.2  
Part no. 0354001  
Weight [kg] 0.18  
Part no. 3921016  
(without thread M 10)



Weight [kg] 0.57  
Part no. 0354000



Weight [kg] 0.83  
Part no. 0354131

## Effective clamping force as a function of max. operating pressure p

Max. clamping arm length e [mm]

