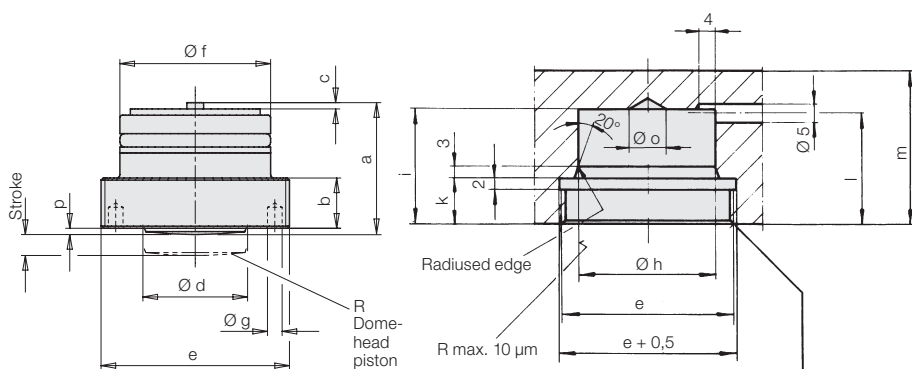
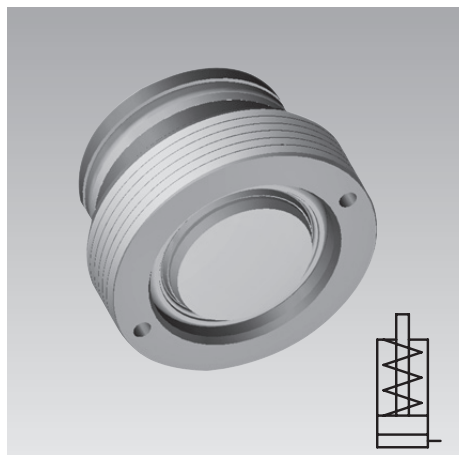




**Threaded-Body Cylinder**  
short stroke, single acting with spring return  
max. operating pressure 500 bar



After assembly of the cylinder, thread secured with set screw AM 4 x 4 DIN 913

**Description**

These short threaded-body cylinders are particularly suitable for recessed installation in clamping bars (see installation example). Oil supply is made through drilled channels. The plunger construction combined with the wiper avoids penetration of contamination and liquids into the spring area.

**Advantages**

- Three sizes are available
- High clamping forces up to 40 kN
- High force density in clamping bars
- Compact design
- Body completely recessible
- Sturdy plunger construction
- Wiper
- Oil supply without tubes

**Important notes**

Operating conditions, tolerances and other data see data sheet A 0.100.  
Power units see catalogue section „D“.

|                         |                    |                |                |                |      |
|-------------------------|--------------------|----------------|----------------|----------------|------|
| Piston Ø d              | [mm]               | 20             | 25             | 32             |      |
| Stroke                  | [mm]               | 4              | 4              | 8              |      |
| Clamping force at       | 100 bar            | [kN]           | 3.1            | 4.9            | 8    |
|                         | 500 bar            | [kN]           | 15.7           | 24.5           | 40.2 |
| Min. operating pressure | [bar]              | 10             | 10             | 10             |      |
| Max. oil volume         | [cm <sup>3</sup> ] | 1.26           | 1.95           | 6.43           |      |
| a                       | [mm]               | 26.5           | 31             | 43.5           |      |
| b - 0.1                 | [mm]               | 10             | 12             | 12             |      |
| c                       | [mm]               | 1              | 1              | 3              |      |
| e                       | [mm]               | M38x1.5        | M45x1.5        | M56x1.5        |      |
| Ø f                     | [mm]               | 30             | 36             | 44             |      |
| Ø g                     | [mm]               | 3.1            | 3.5            | 4              |      |
| Ø h H7                  | [mm]               | 30             | 36             | 44             |      |
| i                       | [mm]               | 26             | 30             | 41             |      |
| k + 0.2                 | [mm]               | 10             | 12             | 12             |      |
| l                       | [mm]               | 26             | 29             | 39             |      |
| m                       | [mm]               | 36             | 40             | 50             |      |
| o                       | [mm]               | 8              | 10             | 20             |      |
| p                       | [mm]               | 0.5            | 1.5            | 1.5            |      |
| R                       | [mm]               | 80             | 100            | 150            |      |
| Weight                  | [kg]               | 0.151          | 0.251          | 0.489          |      |
| Seating torque          | [Nm]               | 100            | 250            | 400            |      |
| <b>Part no.</b>         |                    | <b>1462610</b> | <b>1463610</b> | <b>1464610</b> |      |

**Installation example in clamping bars**

