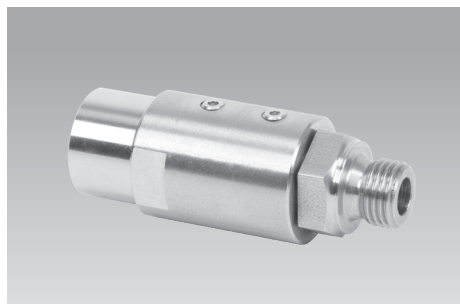




**Axial Pipe Swivel Joints**

made of stainless steel

max. operating pressure 80/100 bar



**Advantages**

- Direct piping possible
- Material: stainless steel
- Compact design
- Large flow cross sections

**Important notes**

Storage: axial pipe swivel joints can be stored for 6 months under storage conditions as per DIN 7716.

**Application**

Connection of pressurised lines to compensate rotary and swivel movements.

**Materials**

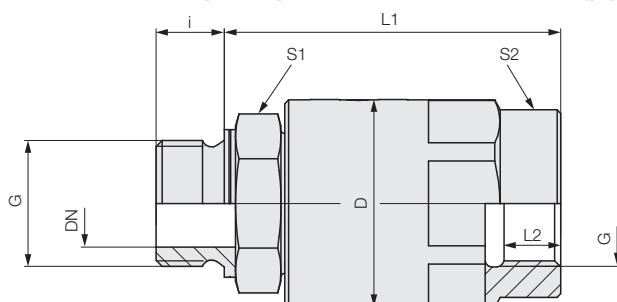
Stainless steel 1.4305  
Seals made of FKM + PTFE

**Operating temperature**

-20 °C to +120 °C with oil  
-20 °C to +80 °C with water

**Internal thread pipe thread G – external thread pipe thread G**

Tapped hole and threaded pin as per DIN 3852 T2/ISO 1179-1 (pipe thread)



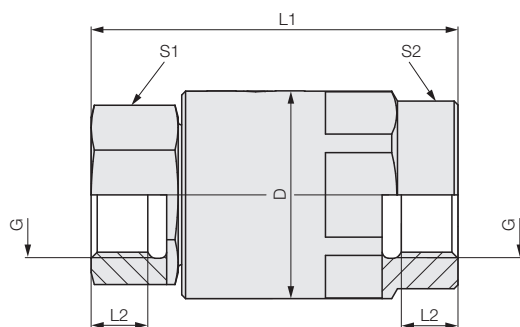
**Application**

- Construction machines
- Agricultural machines
- Railway engineering
- Offshore industry
- Robotics
- Special vehicles and others

PB	G	DN	Size	L1	L2	D	i	S1	S2	Part no.
80 bar	G 1/4	7	1	56.5	12	25	10	19 hexagon	22 2 flats	92AX21TG01
	G 3/8	9	2	67.0	12	32	12	27 hexagon	27 2 flats	92AX22TG01
	G 1/2	11	2	65.5	14	32	14	27 hexagon	27 2 flats	92AX22TG02
100 bar	G 3/4	18	3	91.0	16	55	16	41 hexagon	50 hexagon	92AX23TG01
	G 1	23	3	89.0	18	55	18	41 hexagon	50 hexagon	92AX23TG02
	G 1 1/4	30	4	111.0	20	70	20	50 hexagon	60 hexagon	92AX24TG01
	G 1 1/2	35	5	122.5	22	80	20	60 hexagon	70 hexagon	92AX25TG01
	G 2	47	6	132.5	25	95	22	75 hexagon	75 hexagon	92AX26TG01

**Internal thread on both sides pipe thread G**

Tapped hole as per DIN 3852 T2/ISO 1179-1 (pipe thread)



PB	G	DN	Size	L1	L2	D	S1	S2	Part no.
80 bar	G 1/4	7	1	66.5	12	25	19 hexagon	22 2 flats	92AX21TT01
	G 3/8	9	2	79.0	12	32	27 hexagon	27 2 flats	92AX22TT01
	G 1/2	11	2	79.0	14	32	27 hexagon	27 2 flats	92AX22TT02
100 bar	G 3/4	18	3	97.0	16	55	41 hexagon	50 hexagon	92AX23TT01
	G 1	23	3	97.0	18	55	41 hexagon	50 hexagon	92AX23TT02
	G 1 1/4	30	4	127.0	20	70	50 hexagon	60 hexagon	92AX24TT01
	G 1 1/2	35	5	139.5	22	80	60 hexagon	70 hexagon	92AX25TT01
	G 2	47	6	140.5	25	95	75 hexagon	75 hexagon	92AX26TT01
80 bar	G 2 1/2	63	7	165.5	27.5	133	95 hexagon	105 hexagon	92AX27TT01
	G 3	76	8	166.5	30	148	110 hexagon	120 hexagon	92AX28TT01

All dimensions in [mm]