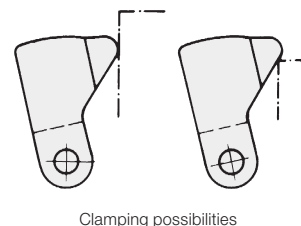
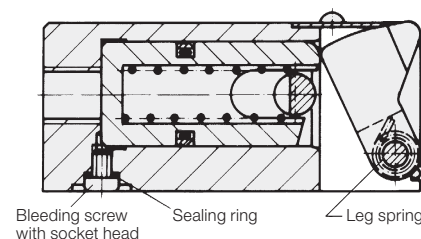
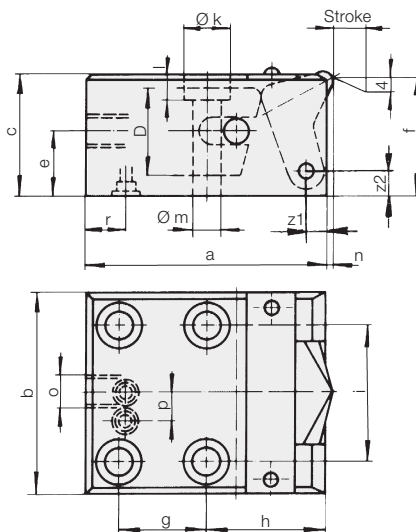
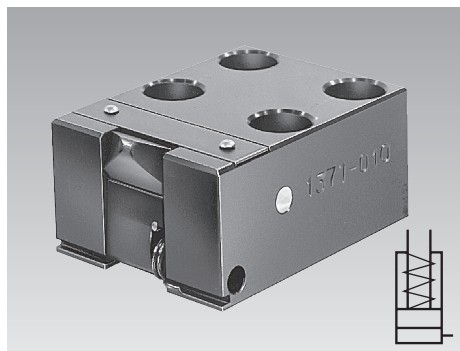




Low-Block Clamping Cylinder

single acting with spring return, max. operating pressure 500 bar



Description

The preferred application of low-block clamping cylinders are clamping situations where workholding from above is not possible or necessary. The low-clamping effect is caused by the downward motion of the clamping point. The average horizontal force component is 94% and the vertical force component is approx. 34% of the nominal clamping force. The high vertical force guarantees that the workpieces are safely held down. The clamping lever is continuously hardened so that the shape of the clamping point can be adapted to the workpiece by regrinding.

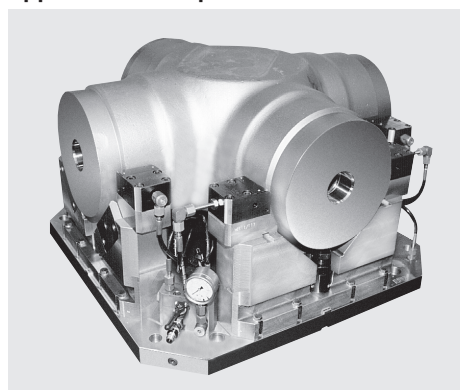
Material

Cylinder body material: Steel, black oxide
Clamping lever: 58 Cr V4, Hrc 54-58

Important notes

Cylinders have to be protected against direct influences of aggressive cutting lubricants and coolants.
Operating conditions, tolerances and other data see data sheet A 0.100.

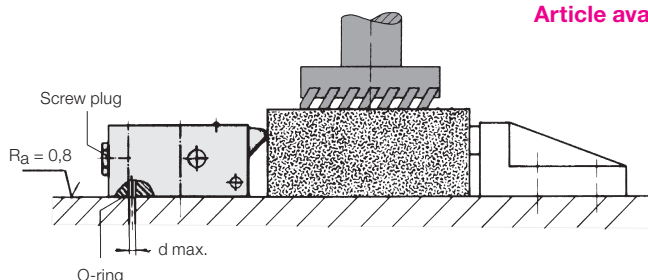
Application example



Piston Ø D	[mm]	16	25	36
Stroke	[mm]	8	10	10
Clamping force at	100 bar	[kN]	1.7	4
	500 bar	[kN]	8.5	20
Oil volume per 10 mm stroke	[cm³]	2	4.9	10.2
a	[mm]	68	90	96
b	[mm]	50	60	80
c	[mm]	32	40	50
d max.	[mm]	6	6	6
e	[mm]	19	23	27
f	[mm]	31	39	49
g	[mm]	27	38	38
h	[mm]	32	42	46
i	[mm]	32	40	56
Ø k	[mm]	13.5	15	18
l	[mm]	8.5	9	11
Ø m	[mm]	8.5	9	11
n	[mm]	2	-	2
o		G 1/4	G 1/4	G 1/4
p	[mm]	-	-	14
r	[mm]	13	14	16
z1	[mm]	5.5	6	8
z2	[mm]	6	9	11
Weight	[kg]	0.9	1.15	2.1

Part no.	1371010	1373010	1374010
Accessories			
Screw plug G 1/4	3610264	3610264	3610264
O-Ring 10 x 2	3000347	3000347	3000347
Spare sealing ring (for bleeding screw)	3002847	3002847	3000546
Clamping lever, one piece	3542080	3542081	3542082
Leg spring, spare part	3715104	3715104	3716109

Article available on request



The hydraulic oil can optionally be supplied through tubes or drilled channels in the fixture body; 4 fixing screws are required.