



Rotary Couplings

single, twin, four and six passages with / without leakage oil recirculation
max. operating pressure 500 bar

General description

Rotary couplings supply the pressure oil to rotating and swivelling installations. They are mounted in the centre of rotation of the installation.

Operating conditions

When selecting, operating pressure and speed have to be taken into account. Only use hydraulic oil of the viscosity classes 22, 32 and 46.

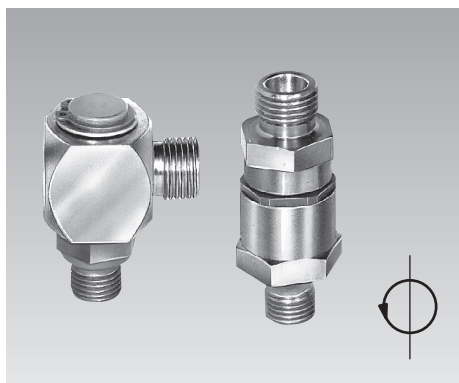
The rotary coupling has to be connected to the power unit on all levels to ensure sufficient lubrications of the seals.

The rotary couplings must only be used in a temperature range between +10 °C and +60 °C. This also applies to possible special versions with FKM seals.

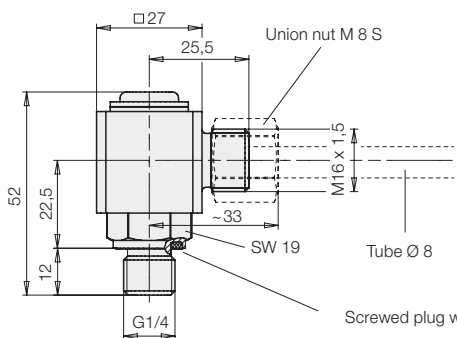
Operating conditions, tolerances and other data see data sheet A 0.100.

Special versions are available on request.

Single passage rotary couplings

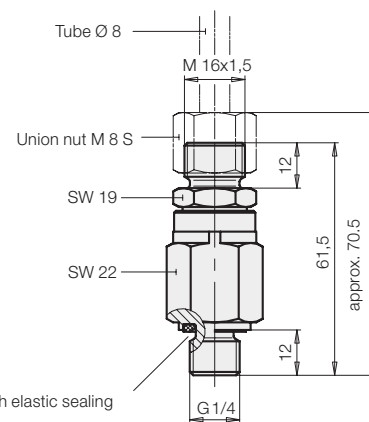


Angle swivel joint



Part no. **9208176**

Axial swivel joint

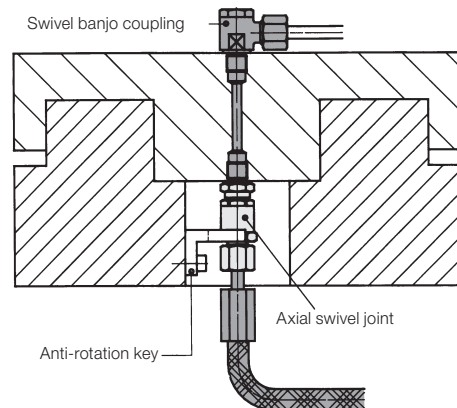
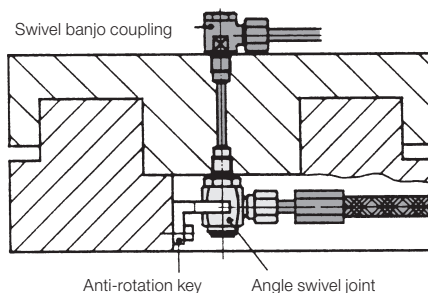


Part no. **9208069**

Technical data

Range of operating pressure	10 – 500 bar
Admissible continuous speed	10 min ⁻¹
Starting torque	approx. 1.2 Nm
Tightening torque G1/4	55 Nm

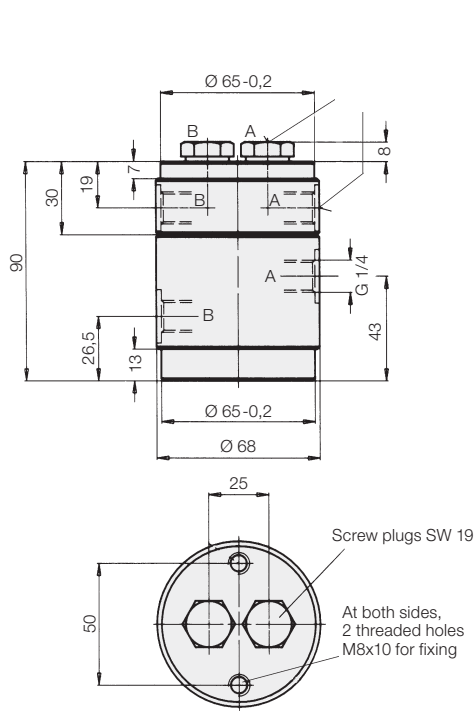
Application examples



Twin passage rotary coupling

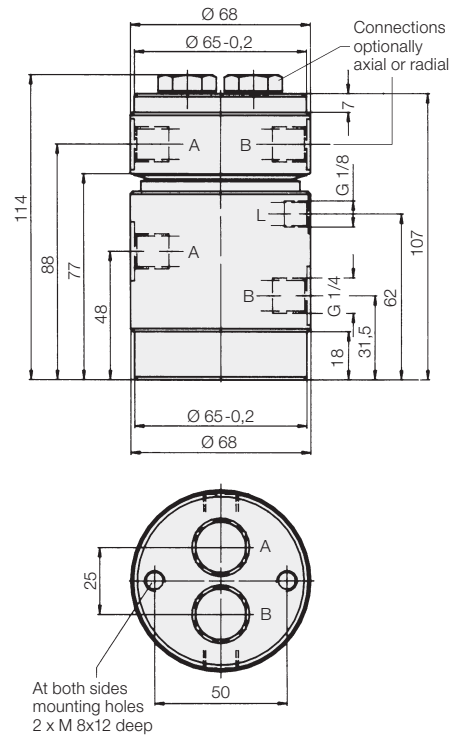


Twin passage rotary coupling

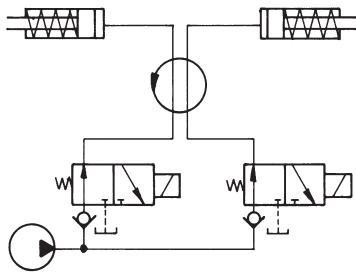


Twin passage rotary coupling

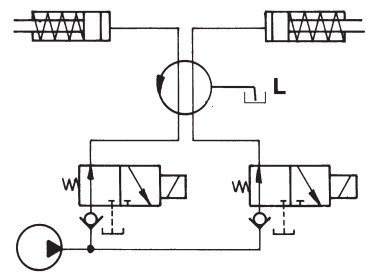
with leakage oil recirculation in the housing



Hydraulic circuit diagram



Hydraulic circuit diagram



Rotary coupling ND 5

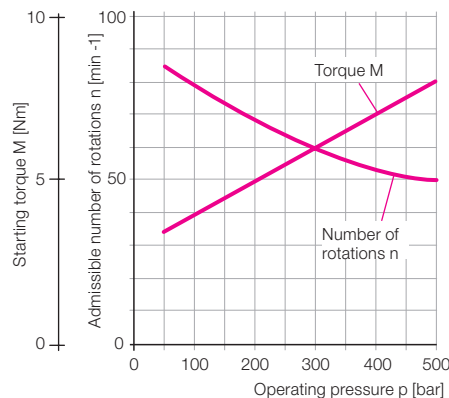
Operating pressure range [bar]	Leakage rate [cm ³ /100h]	Weight [kg]	Part no.
10 – 500	40	2.4	9281 136

Rotary coupling ND 5

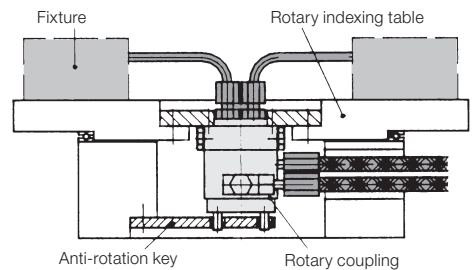
with leakage oil recirculation in the housing

Operating pressure range [bar]	Weight [kg]	Part no.
10 – 500	2.75	9281 135

Max. admissible number of rotations n and starting torque M as a function of the operating pressure p



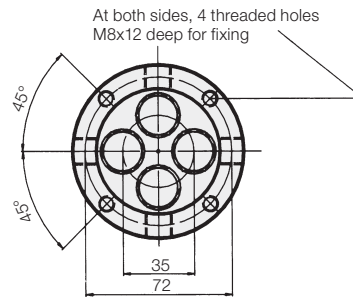
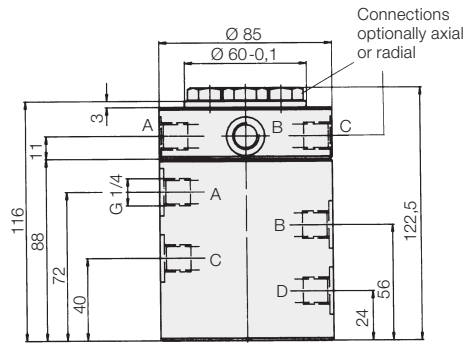
Application example



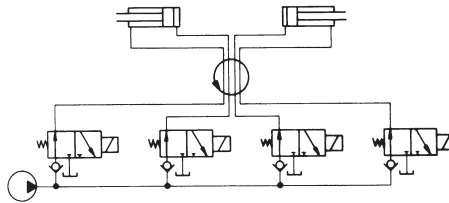
Four passage rotary coupling



Four passage rotary coupling



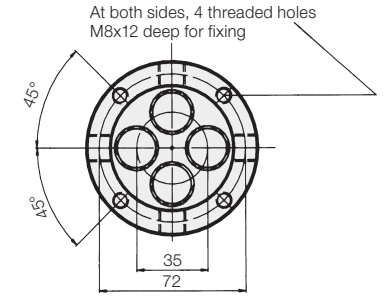
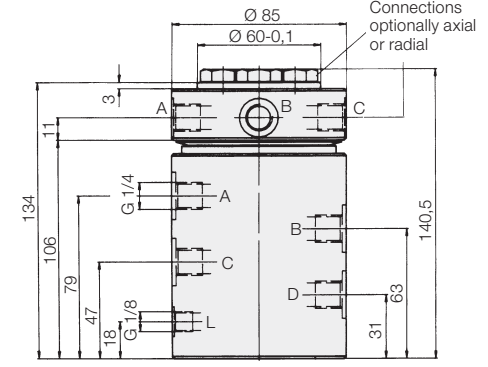
Hydraulic circuit diagram



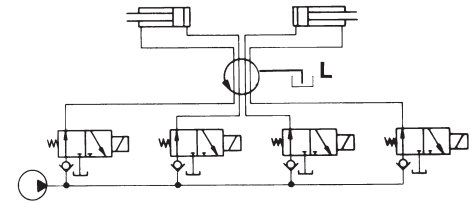
Rotary coupling ND 5

Operating pressure range [bar]	Leakage rate [cm ³ /100h]	Weight [kg]	Part no.
10 – 500	60	4.6	9284 036

Four passage rotary coupling with leakage oil recirculation in the housing



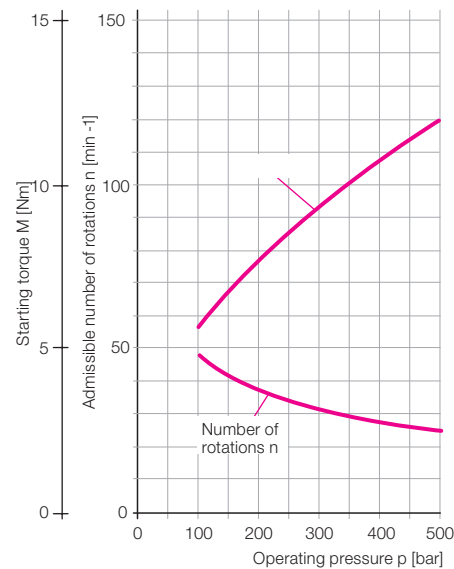
Hydraulic circuit diagram



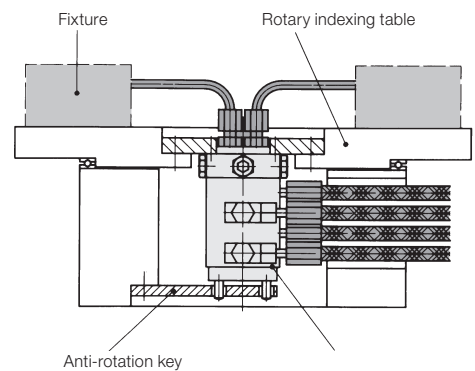
Rotary coupling ND 5 with leakage oil recirculation in the housing

Operating pressure range [bar]	Weight [kg]	Part no.
10 – 500	5.5	9284 135

Max. admissible number of rotations n and starting torque M as a function of the operating pressure p



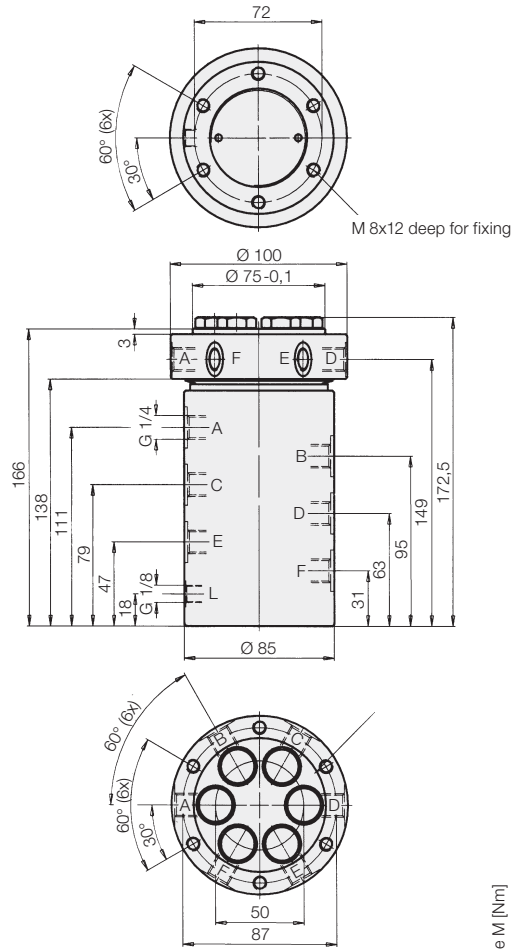
Application example



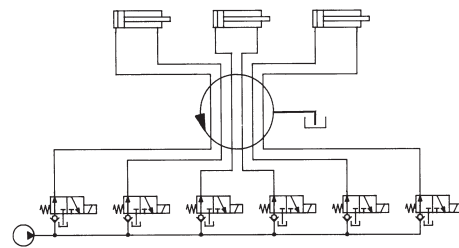
Six passage rotary coupling



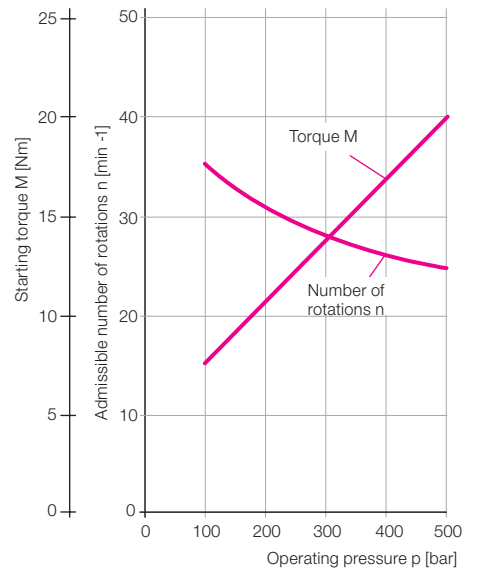
Six passage rotary coupling with leakage oil recirculation in the housing



Hydraulic circuit diagram



Max. admissible number of rotations n and starting torque M as a function of the operating pressure p



Rotary coupling ND 5

Operating pressure range [bar]	Weight [kg]	Part no.
10 – 500	7.2	9286 135

Application example

